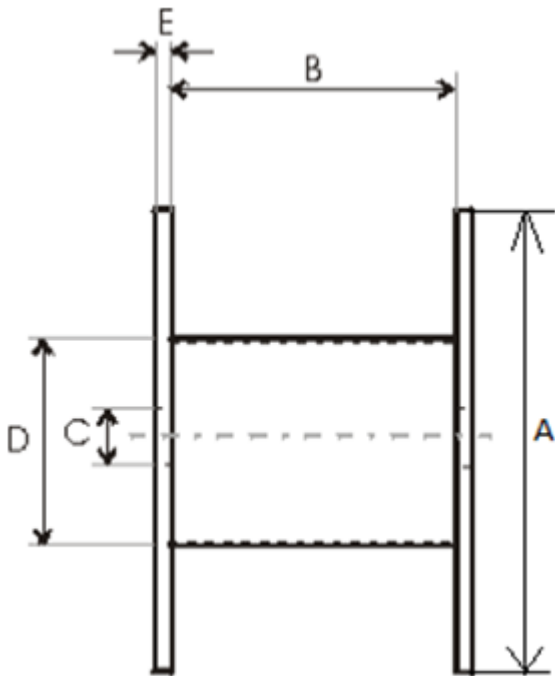


<b>Product name</b>	Wooden drum 900x595x320
<b>Product code</b>	900x595x320
<b>GTIN</b>	
<b>ETIM-Class</b>	EC000245



## PRODUCT SPECIFICATIONS



## Technical Specifications - Drums

<b>Type of drum</b>	Non-return drum
<b>Material</b>	Wood
<b>Flange type</b>	Full Flange

<b>A - Flange Diameter</b>	900 mm
<b>B - Inner Width</b>	595 mm
<b>C - Barrel hole</b>	110 mm
<b>D - Barrel Diameter</b>	320 mm
<b>E - Flange Thickness</b>	15 mm
<b>Weight</b>	12 kg