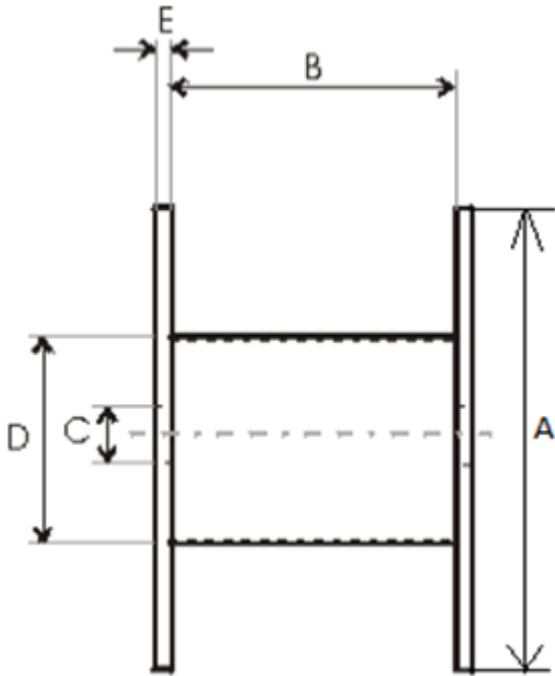


Product name	Wooden drum 400x150x280
Product code	400x150x280
GTIN	
ETIM-Class	EC000245



PRODUCT SPECIFICATIONS



Technical Specifications - Drums

Type of drum	Non-return drum
Material	Plywood
Flange type	Full Flange

A - Flange Diameter	400 mm
B - Inner Width	280 mm
C - Barrel hole	65 mm
D - Barrel Diameter	150 mm
E - Flange Thickness	8 mm
Weight	2,1 kg