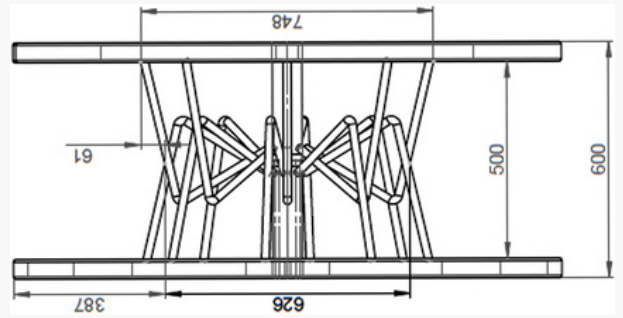
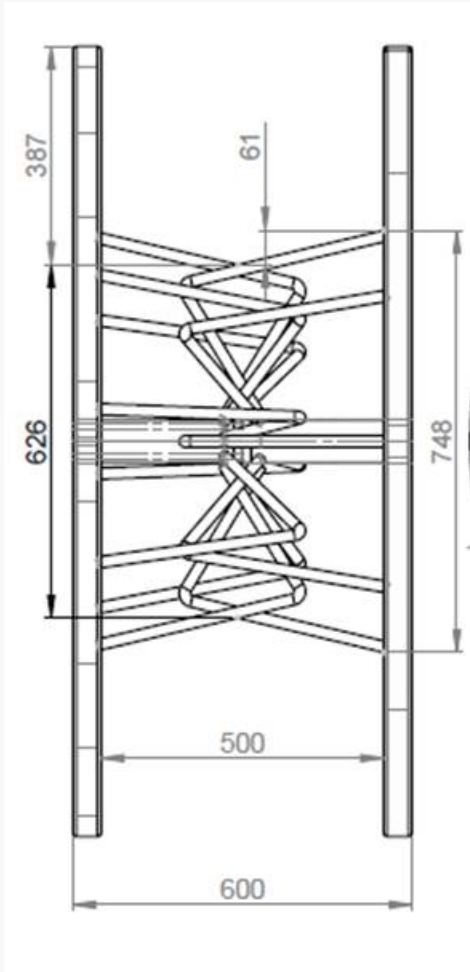


Product name	Split steel reel
Product code	
Product type	Delbar ståltrommel
GTIN	
ETIM-Class	



PRODUCT SPECIFICATIONS



Technical Specifications - Drums

Type of drum	Non-return drum
Material	Steel
Flange type	Skeleton Flange
A - Flange Diameter	1 400 mm
B - Inner Width	500 mm