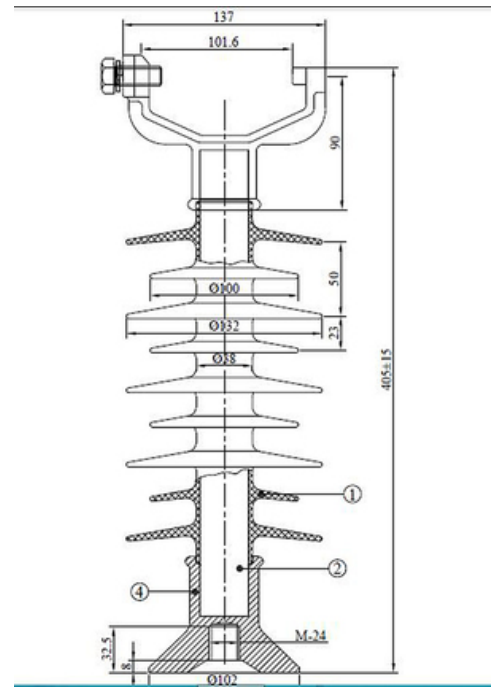


Product name	Linepost
Product code	2861210
Product type	YPIL-24-136-CT POST
GTIN	7070701324678
ETIM-Class	EC003514



Measurements

Weight	10 000 g
--------	----------

Insulator - Dimentions

Section Length	390 mm
Diameter	132
Line fitting	vertikal topp
Base Fitting	bred for m24 isolatorbolt
Insulator bolt diameter tread	m24
Insulator Bolt Diameter	24 mm
Overall Diameter Base Fitting	102 mm
Number of Sheds	7
Weathershed Spacing	25 mm

Insulator - Mechanical data

Specified Cantilever Load SCL	12,5 kN
Reference Cantilever Load RCL	5,5 kN

Insulator - Electrical specifications

Voltage Level	24 kv
---------------	-------

Power Frequency Wet Withstand 50Hz	60 kV
Arc Distance Dry	240 mm
Impulse Withstand Voltage Positive	145 kV
Withstand Voltage - Lightning Impuls	145 kV
Leakage Distance	620 mm

Technical Specifications - Insulator

Insulation Material	silikon
Standard	iec61109
Colour	grå