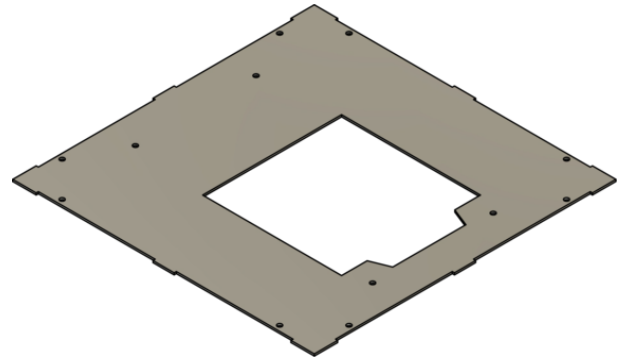


Product name	Adapter plate for E-Foundation Modula 750×750mm. Predefined holes EFAPOWER EV-QC120_90_60.
Product code	2822324
Product type	750×750 Efacec EV-QC120
GTIN	7070701382913
ETIM-Class	EC003036



Measurements

Length	825 mm
Height	6 mm
Width	825 mm
Weight	19 960 g

Technical Specifications - Pit-hole cover with frame

Material	Other
Material quality	Other
Coated	Yes
With cover	No
Material cover	Other
Cover with hinge	No
Vented cover	No
With grid	No
Clear opening	750 mm
Interlockable	Yes
Connection shape	Square
Length	825 mm
Width	825 mm
Height	6 mm
Cover weight	19,96 kg
Load class according to EN 1433	A-15

