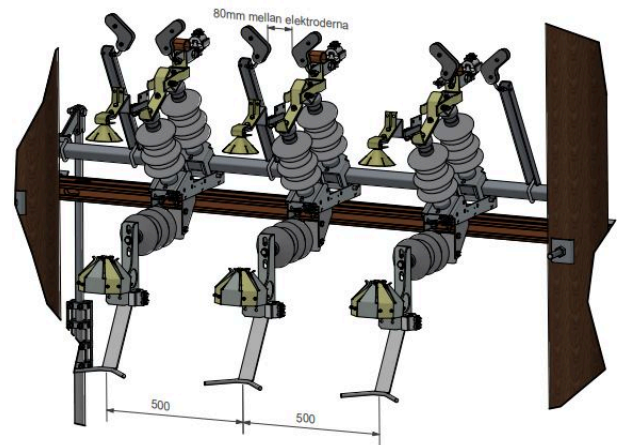


Product name	Fuse switch disconnector
Product code	2862205
Product type	9496
GTIN	7070701347974
ETIM-Class	EC003509



Measurements

Length	2 370 mm
Height	930 mm
Width	1 450 mm
Weight	136 000 g

Line Switchers

Rated Voltage	24 kV
impulsspänning_fase_Jord	125 kV
impulsspänning_over_åpen_pol	145 kV
holdespenning_50hz_fase_jord	60 kV
merkestrøm	630 A
Thermal Current 3 sec	25 kA
støtstrøm	62,5 kA
Bryterevne_med_kontaktsvøpe_24kv	25 A
bryterevne_med_lasthode_24kv	630 A
innkoblingsevne_med_hovedkontakt	10 kA
Standard	SS 428 12 00, IEC 60129, IEC 60265

Line Switcher Configuration

mastarrangement	
------------------------	--

	2 m
	0,5 m
	GKG43
	Yes
	No
	No
	GHF