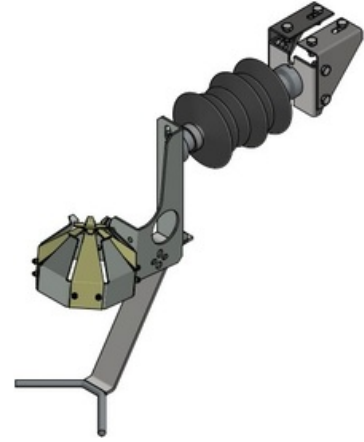


Product name	Fuse part 3 phases GS5RS
Product code	2862069
Product type	1038
GTIN	7070701377230
ETIM-Class	EC003511



Measurements

Length	100 mm
Height	100 mm
Width	100 mm
Weight	7 500 g