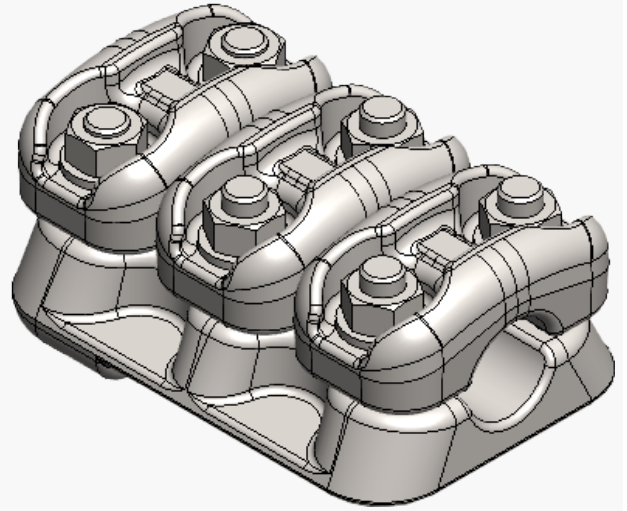


Product name	MFC connector 3D ø37-47mm Processed
Product code	113021
Product type	MFK3BB
GTIN	7070701383200
ETIM-Class	



Measurements

Weight	2 550 g
--------	---------

Technical informations - Clamps

Bolt dimension / number mm / pcs	m12
Load In	1600 A
Max Rated Voltage Un	245 kV
Short Circuit Current kA 1s	63 kA

Load / Tension Data

Wrench Size	19
Torque	75 Nm

Specifications

Conductor Diameter Main	37-47 mm
Number of Caps	3