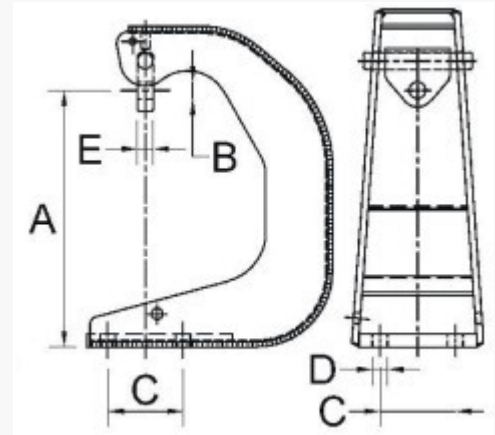


Product name	C-Bracket verstärkte Ausführung F0806006
Product code	114706
Product type	4654.04
GTIN	7070701356426
ETIM-Class	



Measurements

Length	380 mm
Weight	21 000 g

C-bracket

Dimension A	310 mm
Dimension B	20 mm
Dimension C	90 mm
Dimension D	18 mm
Dimension E	20 mm
Max vertical load	40 kN
Max horizontal load	70 kN

Product Branding

Producer	Mosdorfer
----------	-----------

Sustainability

product.sustainability-label.epd	Yes
----------------------------------	-----