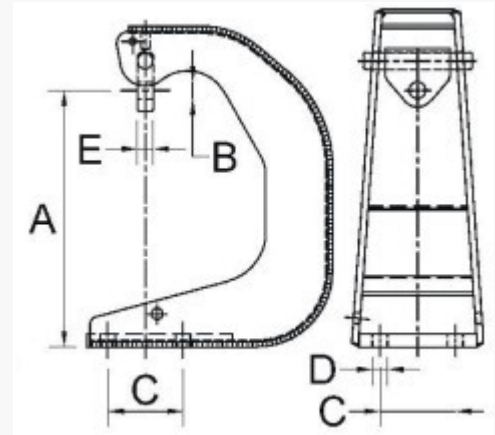


Product name	C - Bracket Type 1
Product code	114516
Product type	4654.01
GTIN	7070701355993
ETIM-Class	



Measurements

Length	340 mm
Weight	12 800 g

C-bracket

Dimension A	265 mm
Dimension B	20 mm
Dimension C	90 mm
Dimension D	18 mm
Dimension E	20 mm
Max vertical load	45 kN
Max horizontal load	20 kN

Product Branding

Producer	Mosdorfer
----------	-----------

Sustainability

product.sustainability-label.epd	Yes
----------------------------------	-----