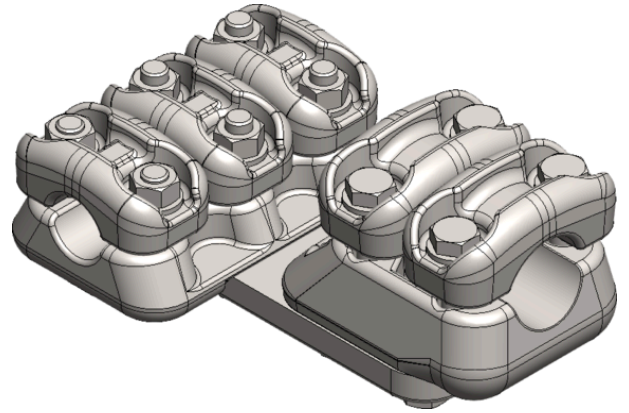


Product name	MFK T-substation connector 3d+2D 17-37mm/37-47mm
Product code	110205
Product type	MFK T 3d+2D
GTIN	7070701349961
ETIM-Class	



Measurements

Weight	3 000 g
---------------	---------

Technical informations - Clamps

Bolt dimension / number mm / pcs	m12
Weight	3 000 g
Load In	1000 A
Max Rated Voltage Un	245 kV
Short Circuit Current kA 1s	50 kA

Load / Tension Data

Wrench Size	19 mm
Torque	75 Nm

Specifications

Conductor Diameter Main	37-47 mm
Conductor Diameter Tap	17-37 mm
Hole Diameter d	17-37 mm
Hole Diameter D	37-47 mm
Number of Caps	3+2

