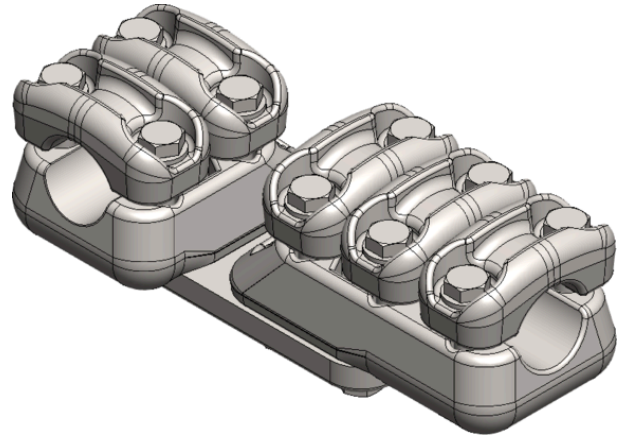


<b>Product name</b>	MFK T-substation connector 3d+2D 17-37mm/37-47mm
<b>Product code</b>	110216
<b>Product type</b>	MFK T 2D+3D
<b>GTIN</b>	7070701354774
<b>ETIM-Class</b>	



## Measurements

<b>Weight</b>	4 384 g
---------------	---------

## Technical informations - Clamps

<b>Bolt dimension / number mm / pcs</b>	m12
<b>Weight</b>	4 384 g
<b>Load In</b>	1000 A
<b>Max Rated Voltage Un</b>	245 kV
<b>Short Circuit Current kA 1s</b>	50 kA

## Load / Tension Data

<b>Wrench Size</b>	19 mm
<b>Torque</b>	75 Nm

## Specifications

<b>Conductor Diameter Main</b>	37-47 mm
<b>Conductor Diameter Tap</b>	37-47 mm
<b>Hole Diameter d</b>	17-37 mm
<b>Hole Diameter D</b>	37-47 mm
<b>Number of Caps</b>	2+3

