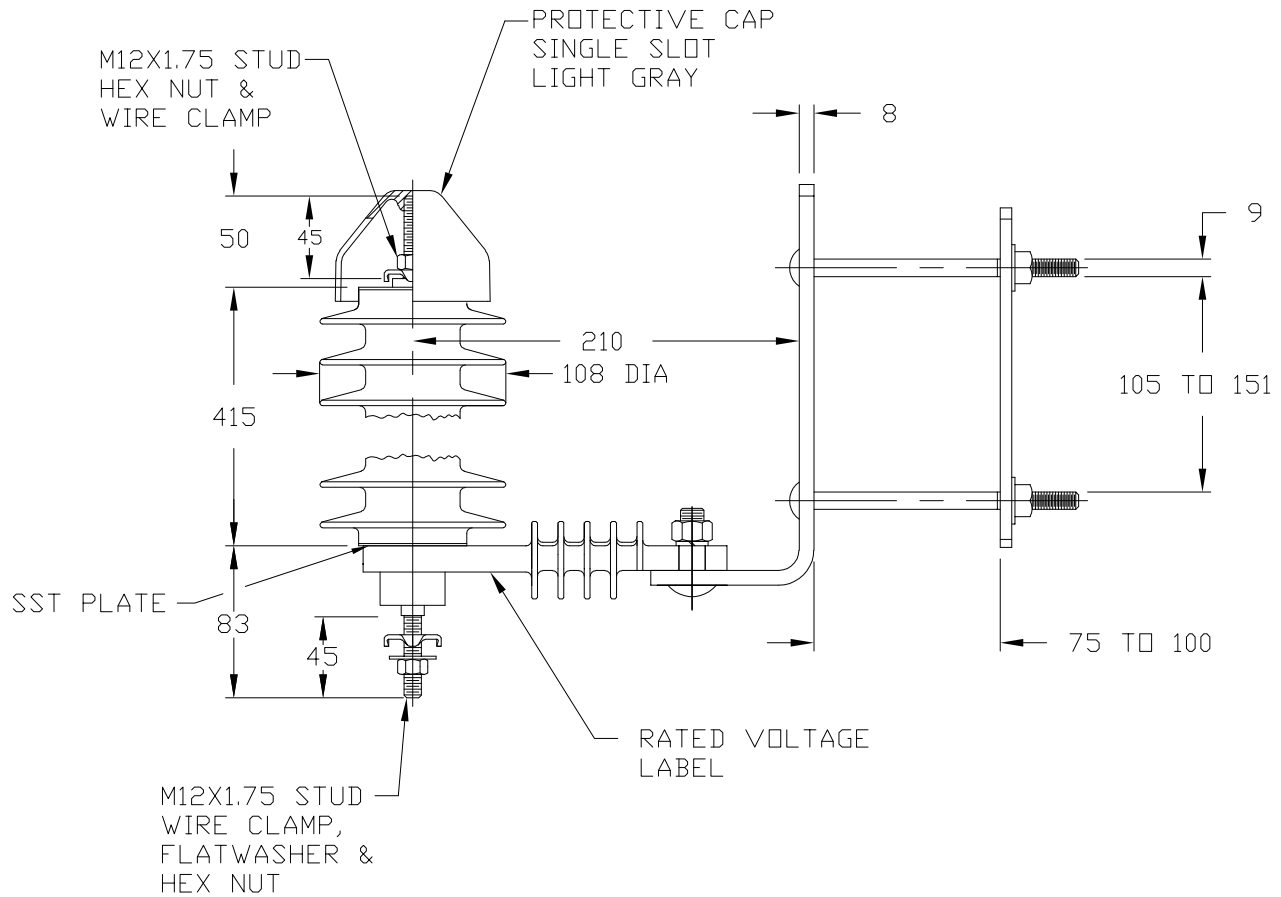


NOTES:

1. DIMENSIONS SUBJECT TO +/- 5% TOLERANCE
2. LEAKAGE DISTANCE - 1173 MM
3. ALTITUDE 0-3600 METERS ABOVE SEA LEVEL
4. WEIGHT OF UNIT INCLUDING HARDWARE - 7.4 KG
5. MAXIMUM CONTINUOUS LINE-TO-GROUND OPERATING VOLTAGE U_c 24.4 kV
6. RATED VOLTAGE U_c 30 kV RMS

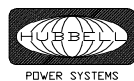


10kA STEEP CURRENT U_{res} kV	500 A SWITCHING SURGE U_{res} kV	MAXIMUM 8/20 RESIDUAL VOLTAGE - kV AT					
		1.5 kA	3.0 kA	5 kA	10 kA	20 kA	40 kA
93.4	65.3	70.3	73.8	77.3	80.7	90.6	101.8

10 kA
ARRESTER
IEC 6099-4 Ed2.2
CLASS 2
IEC 6099-4 Ed3.0
CLASS STATION LOW

REV DATE
12/09/20

CONFIDENTIAL: THIS DRAWING AND ITS CONTENTS ARE CONFIDENTIAL AND THE EXCLUSIVE PROPERTY OF HUBBELL POWER SYSTEMS. NO PUBLICATION, DISTRIBUTION OR COPIES MAY BE MADE WITHOUT THE WRITTEN CONSENT OF HUBBELL POWER SYSTEMS. HUBBELL POWER SYSTEMS UNPUBLISHED ALL RIGHTS RESERVED UNDER THE COPYRIGHT LAWS.



HUBBELL® POWER SYSTEMS

TITLE
ARRESTER METRIC
24.4 kV U_c

SIZE S	DWG NO. --	CAT / PART / ASSY NO. 214524-C2C1	REV 0
-----------	---------------	--------------------------------------	----------

DO NOT SCALE THIS DRAWING	DRN BY RVK	DATE 12/09/20	SHEET 1 OF 1
---------------------------	------------	---------------	--------------