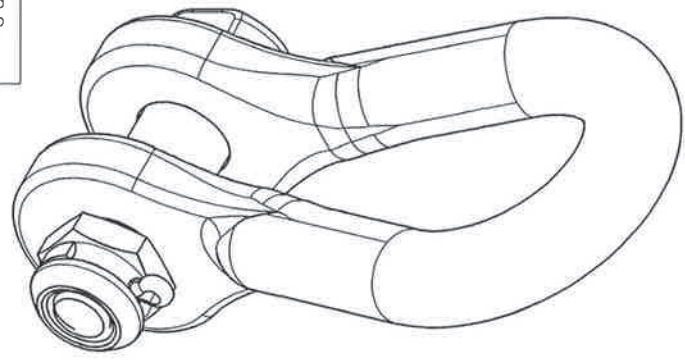
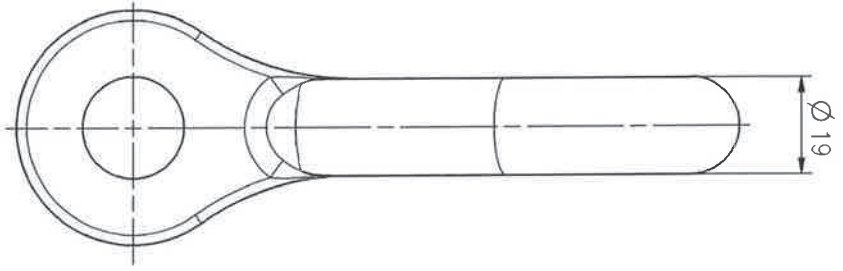
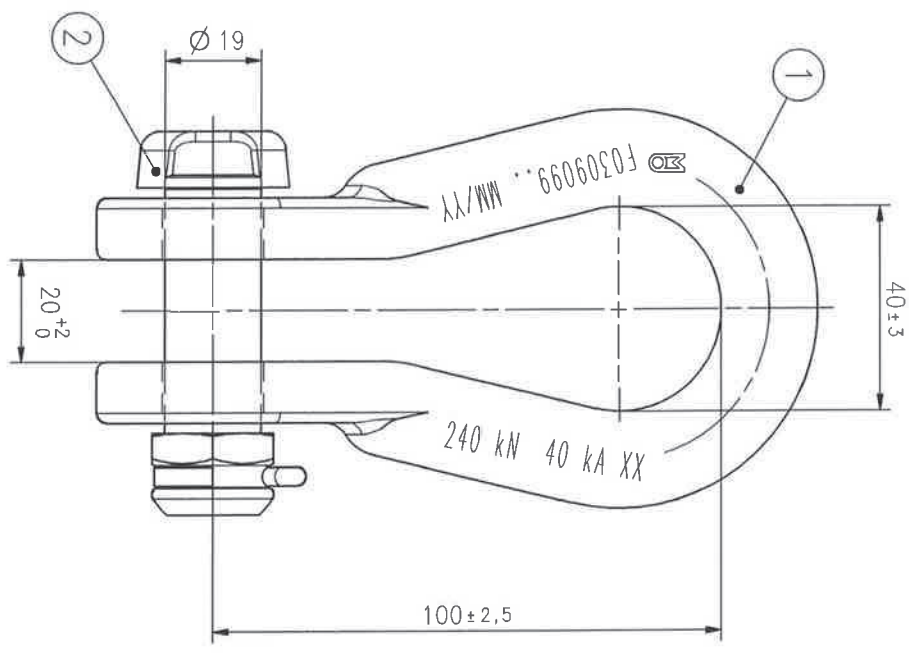



This page and its indications is intellectual property of Mosdorfer Company and it isn't allowed to forward those information to a third party without the written assent of Mosdorfer company.

h	Drg. updated	03.10.2014	BaRu	ReHi					
Letter	Revision	Date	Drawn	Chkd.	Letter	Revision	Date	Drawn	Chkd.

Tolerance acc. to: ISO 2768-VL Short circuit current: 40 kA 1s Breaking load: 240 kN Mass: approx. 0,9 kg



Type	Art. no.	Drg. no.
1	4250.0028	F0309099
3	4250.0028_VZ3	F0309099/3

2	1	Bolt S19x48	DIN 48073	8.8	hot dip galv.		
1	1	Shackle Ø19		Steel	hot dip galv.		
Lim Qty		Description	Standard	Drg. no.	Material	Surface	Mass (kg)
Date		Name	 MOSDORFER KNILLGRUPPE				
Drg. no.		Mayer					
Chkd.		Zechner					
Title		Shackle				Type	Drg. No.
Scale		1:1				K	F0309099
No. of pages		1				Rev.	A3
Page		1					