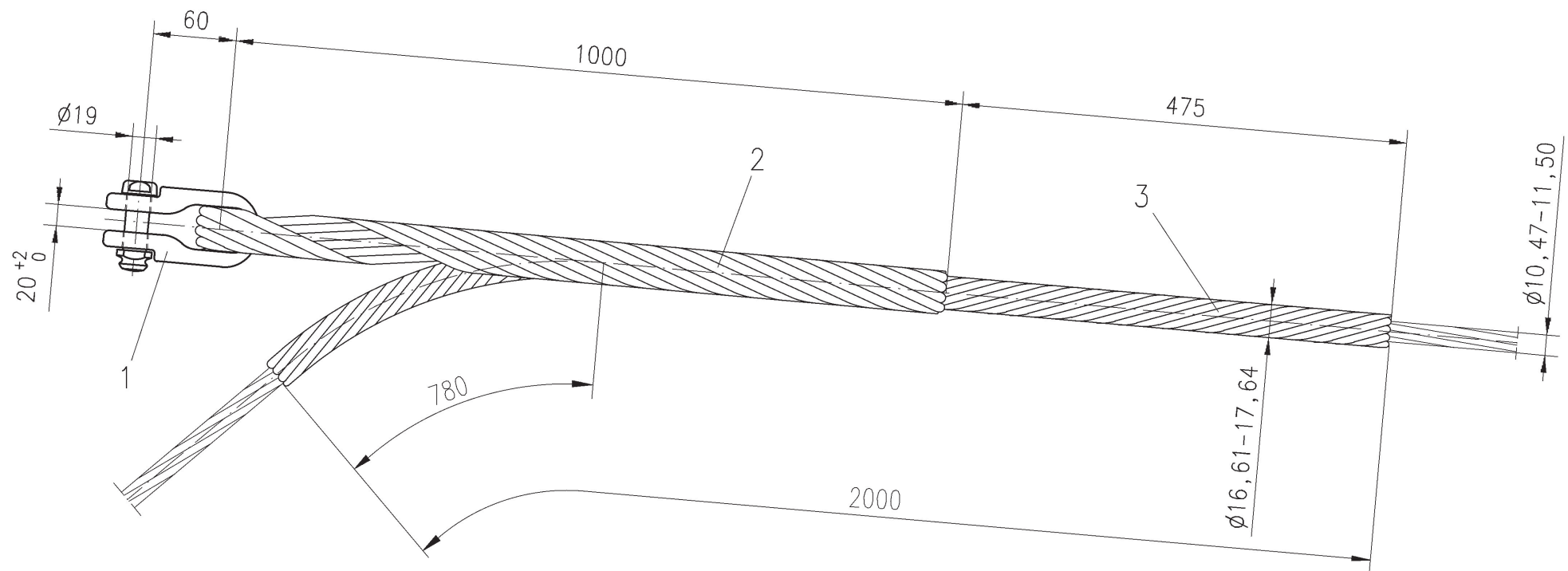


This page and its indications is intellectual property of Mosdorfer Company and it isn't allowed to forward those information to a third party without the written assent of Mosdorfer company.

Number	Modification	Date	Name

Letter	Revision	Date	Name
b	Rev. adaption without modification	07.05.2019	Boros



For right hand layed OPGW
Minimum failing load = 95% of UTS of OPGW

3	1	Reinforcing rod				Al-alloy			
2	1	Dead end				ACS			
1	1	Thimble clevis				Cast iron	hot dip galv.		
l	m	Qty	Description	Standard	Drg. no.	Art. no.	Material	Surface	Mass [kg]
2019	Date	Name					Replace for		Sim. to drg.-no.
Drawn	07.05.	Boros					Replaced by		
Checked	07.05.	Zechner					Art. No.		4480.00
			Title			Type	Drg. No.	Rev.	Mod.
Scale			Dead end set for OPGW			K	F1806007	b	A3
NTS			Ø10,47-11,50 mm, al-or al-alloy layer			No. of pages		Page	

Tolerance acc. to:	---	Short circuit current:	28 kA 1s	Breaking load:	---	kN	Mass:	approx. 2,4 kg
--------------------	-----	------------------------	----------	----------------	-----	----	-------	----------------