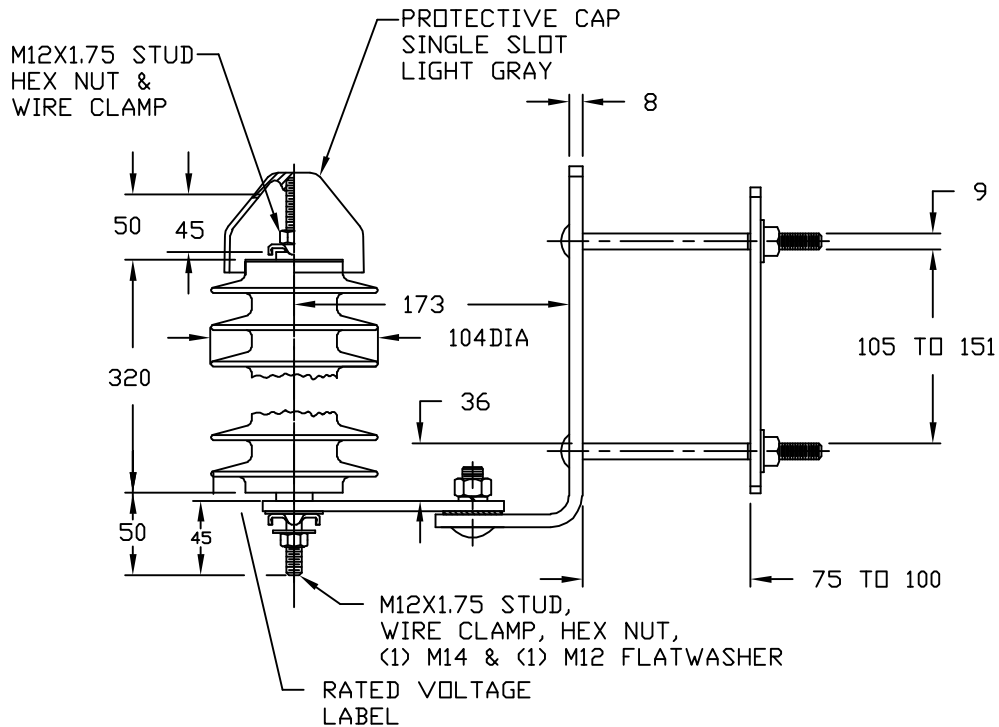



NOTES:

1. DIMENSIONS SUBJECT TO +/- 5% TOLERANCE
2. LEAKAGE DISTANCE (mm) - 1006
3. ALTITUDE 0-12000 FT. ABOVE SEA LEVEL
4. WEIGHT OF UNIT INCLUDING HARDWARE - 3.9 KG
5. MAXIMUM CONTINUOUS LINE-TO-GROUND OPERATING VOLTAGE 22.0 kV MCOV
6. VOLTAGE RATING 27 kV RMS.



.5 μ SEC 10kA IR kV	500 A SWITCHING SURGE IR kV	MAXIMUM 8/20 DISCHARGE VOLTAGE - kV AT					
		1.5 kA	3.0 kA	5 kA	10 kA	20 kA	40 kA
95.1	63.3	69.2	74.0	78.4	85.5	97.1	114.5

DISTRIBUTION CLASS SURGE ARRESTER	 HUBBELL® POWER SYSTEMS	TITLE PDV-100 OPTIMA DH 22.0 KV MCOV			
		CONFIDENTIAL: THIS DRAWING AND ITS CONTENTS ARE CONFIDENTIAL AND THE EXCLUSIVE PROPERTY OF HUBBELL POWER SYSTEMS. NO PUBLICATION, DISTRIBUTION OR COPIES MAY BE MADE WITHOUT THE WRITTEN CONSENT OF HUBBELL POWER SYSTEMS. HUBBELL POWER SYSTEMS UNPUBLISHED ALL RIGHTS RESERVED UNDER THE COPYRIGHT LAWS.	SIZE S	DWG NO. --	CAT / PART / ASSY NO. 294222-CCCI
REV DATE 05/30/17	DO NOT SCALE THIS DRAWING		DRN BY AS	DATE 02/22/16	SHEET 1 OF 1