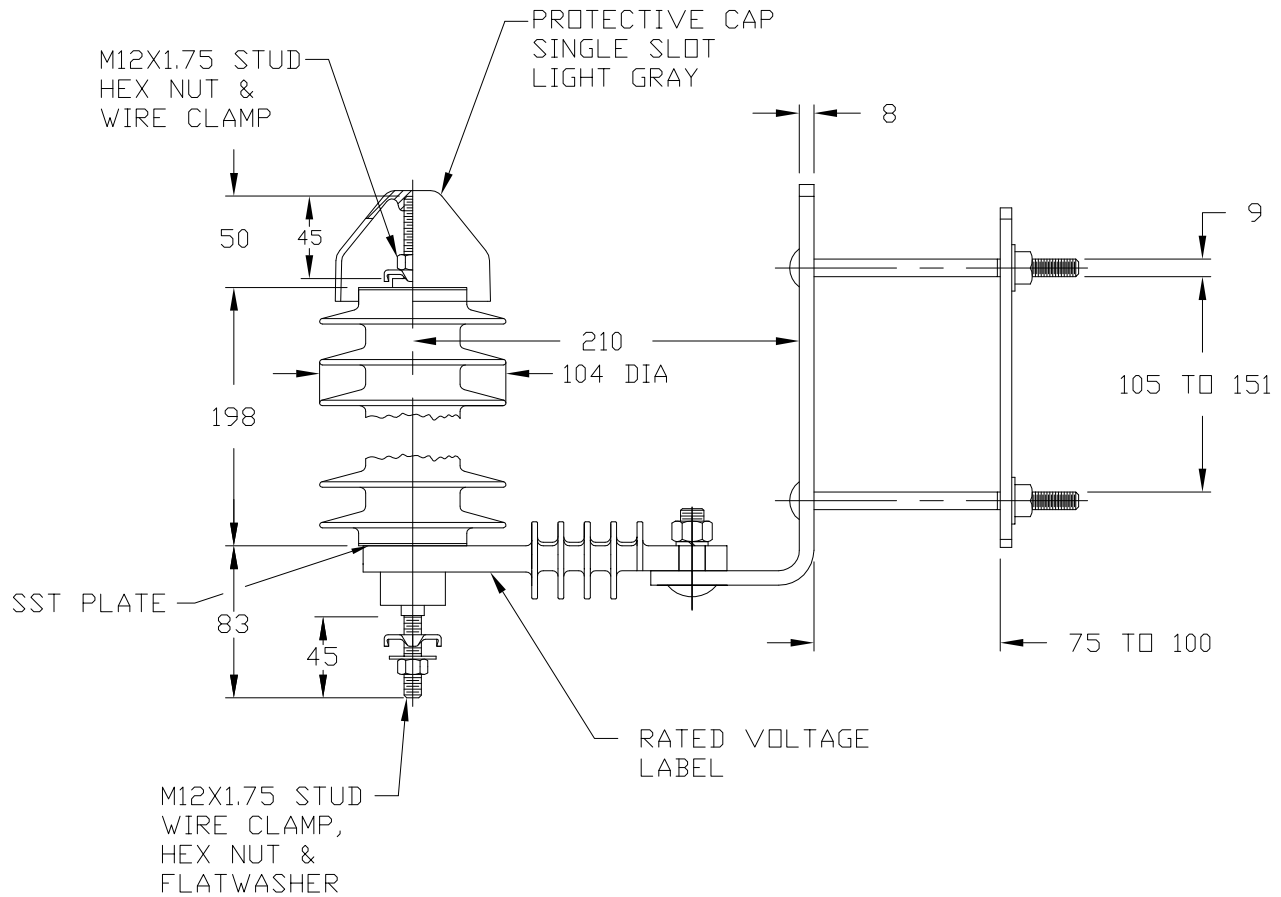
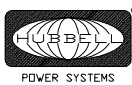


NOTES:

1. DIMENSIONS SUBJECT TO +/- 5% TOLERANCE
2. LEAKAGE DISTANCE - 640 MM
3. ALTITUDE 0-3600 METERS ABOVE SEA LEVEL
4. WEIGHT OF UNIT INCLUDING HARDWARE - 3.1 KG
5. MAXIMUM CONTINUOUS LINE-TO-GROUND OPERATING VOLTAGE 12.7 kV MCOV
6. DUTY CYCLE VOLTAGE RATING 15 kV RMS



.5 μ SEC IR kV	10kA	500 A SWITCHING SURGE IR kV	MAXIMUM 8/20 DISCHARGE VOLTAGE - kV AT					
			1.5 kA	3.0 kA	5 kA	10 kA	20 kA	40 kA
53.8		35.4	38.7	41.4	43.8	47.8	54.3	64.0

DISTRIBUTION CLASS SURGE ARRESTER	 HUBBELL® POWER SYSTEMS	TITLE PDV-100 OPTIMA DH 12.7 KV MCOV			
		SIZE S	DWG NO. --	CAT / PART / ASSY NO. 294213-C2CI	REV 1
REV DATE 10/24/18	<small>CONFIDENTIAL: THIS DRAWING AND ITS CONTENTS ARE CONFIDENTIAL AND THE EXCLUSIVE PROPERTY OF HUBBELL POWER SYSTEMS. NO PUBLICATION, DISTRIBUTION OR COPIES MAY BE MADE WITHOUT THE WRITTEN CONSENT OF HUBBELL POWER SYSTEMS. HUBBELL POWER SYSTEMS UNPUBLISHED ALL RIGHTS RESERVED UNDER THE COPYRIGHT LAWS.</small>	DO NOT SCALE THIS DRAWING	DRN BY AS	DATE 02/24/16	SHEET 1 OF 1