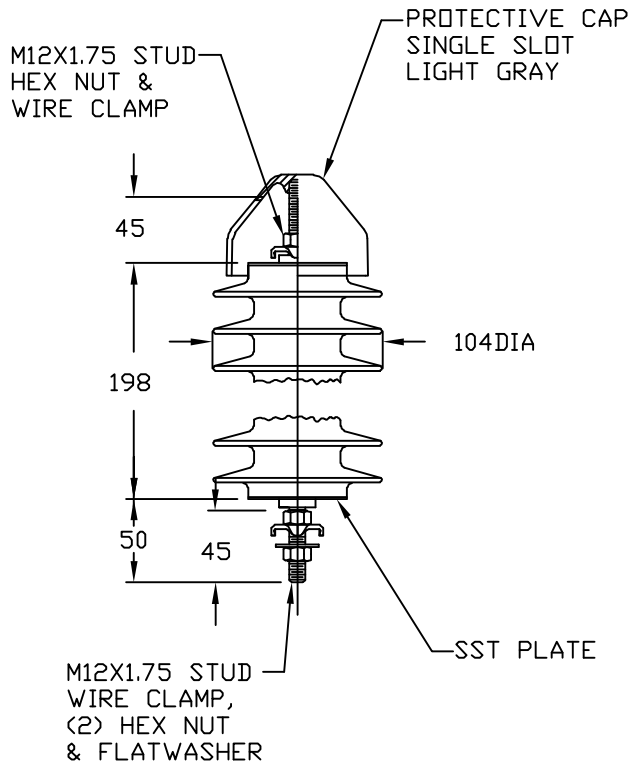



NOTES:

1. DIMENSIONS SUBJECT TO +/- 5% TOLERANCE
2. LEAKAGE DISTANCE (MM) - 640
3. ALTITUDE 0-12000 FT. ABOVE SEA LEVEL
4. WEIGHT OF UNIT INCLUDING HARDWARE - 2.54 KG.
5. MAXIMUM CONTINUOUS LINE-TO-GROUND OPERATING VOLTAGE 12.7 kV MCOV
6. VOLTAGE RATING 15 kV RMS.



.5 μ SEC 10kA IR kV	500 A SWITCHING SURGE IR kV	MAXIMUM 8/20 DISCHARGE VOLTAGE - kV AT					
		1.5 kA	3.0 kA	5 kA	10 kA	20 kA	40 kA
53.4	35.4	38.7	41.4	43.8	47.8	54.3	64.0

DISTRIBUTION CLASS SURGE ARRESTER	<p>CONFIDENTIAL: THIS DRAWING AND ITS CONTENTS ARE CONFIDENTIAL AND THE EXCLUSIVE PROPERTY OF HUBBELL POWER SYSTEMS. NO PUBLICATION, DISTRIBUTION OR COPIES MAY BE MADE WITHOUT THE WRITTEN CONSENT OF HUBBELL POWER SYSTEMS. HUBBELL POWER SYSTEMS UNPUBLISHED ALL RIGHTS RESERVED UNDER THE COPYRIGHT LAWS.</p>	 HUBBELL® POWER SYSTEMS		
		TITLE PDV-100 OPTIMA DH 12.7 KV MCOV		
REV DATE 02/19/16	SIZE S	DWG NO. --	CAT / PART / ASSY NO. 294213-CCCI	REV 0
DO NOT SCALE THIS DRAWING		DRN BY RVK	DATE 02/19/16	SHEET 1 OF 1