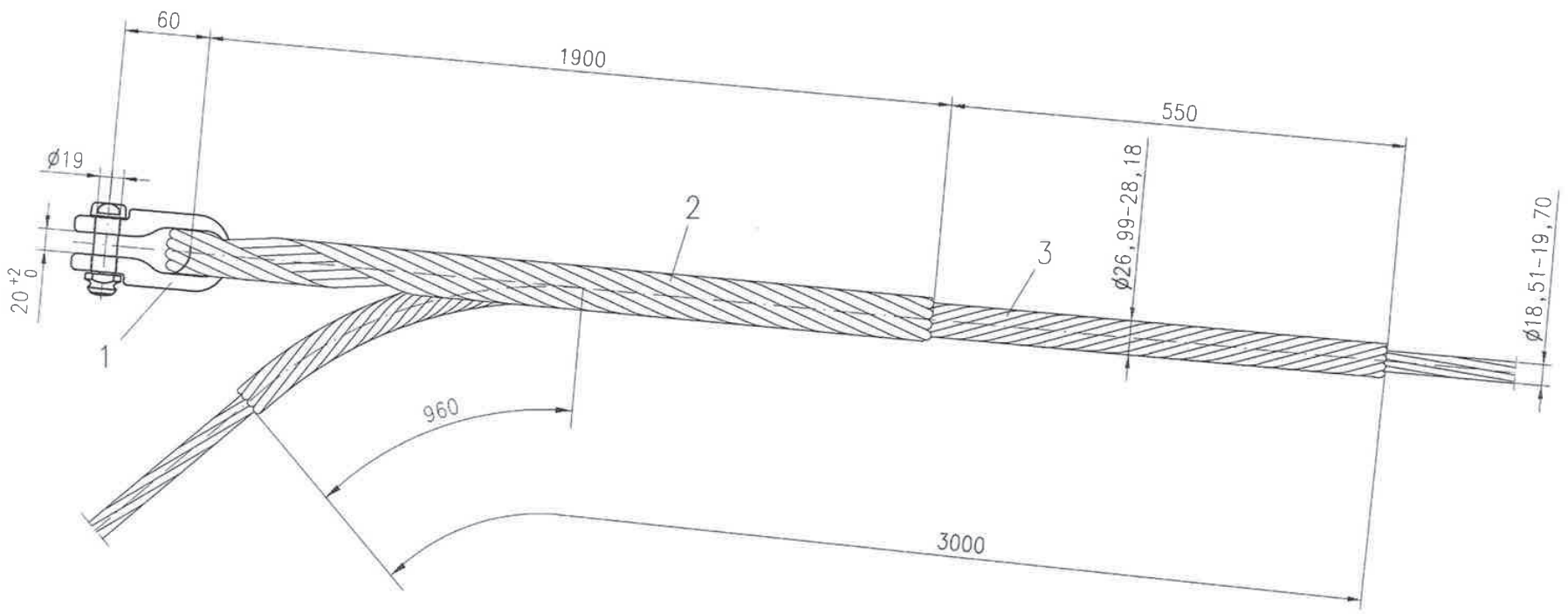


This page and its indications is intellectual property of Mosdorfer Gruppe. It is not allowed to disseminate those information to a third party without the written assent of Mosdorfer company.



Minimum failing load = 95% of UTS of conductor.
 Breaking load of thimble clevis (ltn.1) = 230 kN

e Indexamp., ohne Änderung
 Letter Revision

06.04.2016
 Date

Grimm
 Name

Number

Modification

Date

Name

Tolerance acc. to: --- Short circuit current: 40 kA 1s Breaking load: --- kN Mass: approx. 7,7 kg

ltn	Qty	Description	Standard	Drq. no.	Art. no.	Material	Surface	Mass [kg]
3	1	Reinforcing rods				Al-alloy		
2	1	Dead end rod				Al-covered st.		
1	1	Thimble clevis				Cast iron/Steel	hot dip galv	
2016		Date	Name		Replace for		Sim. to drg.-no.	
Drawn		06.04.	Grimm		Replaced by			
Checked		06.04.	Zechner		Art. No.		4480.10	
Title			Type		Drq. No.		Rev. Mod.	
Scale			K		F1806011		e A3	
NTS			Dead end set for OPGW		No. of pages		Page	
			ø18,51-19,7 mm with al or al-alloy layer					

