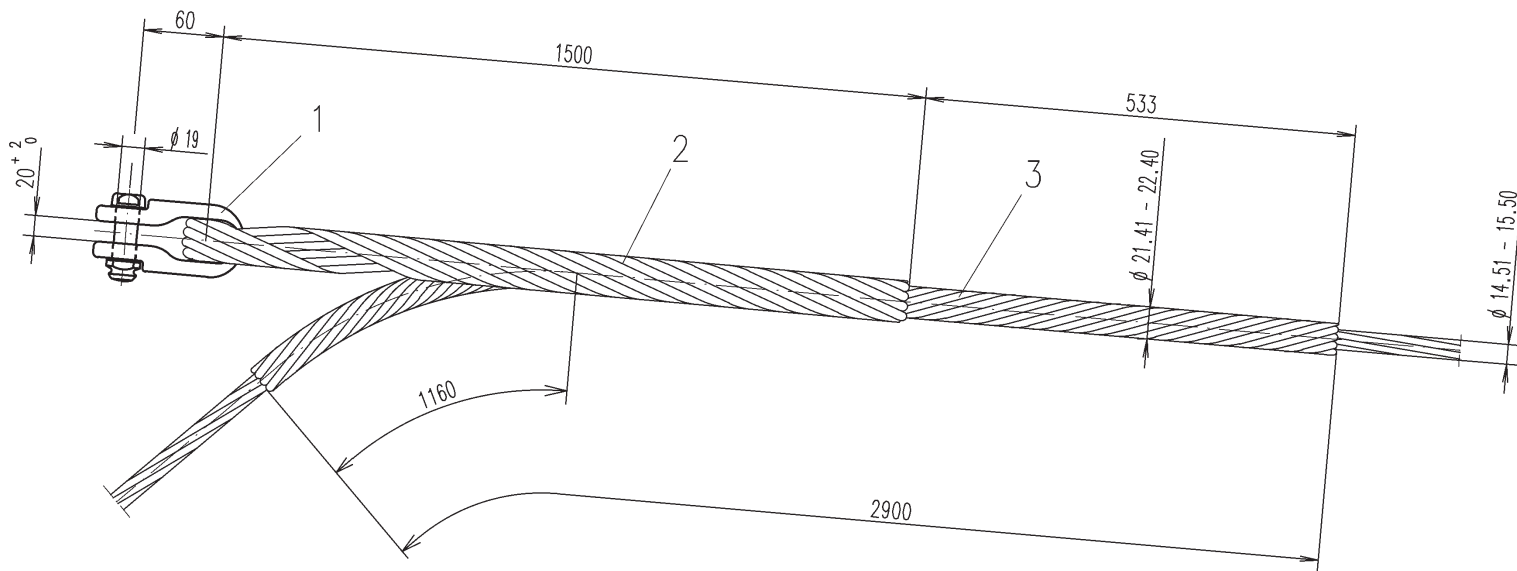

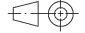


This page and its indications is intellectual property of Mosdorfer Company and it isn't allowed to forward those information to a third party without the written assent of Mosdorfer company.



Letter	Revision	Date	Name

Number	Modification	Date	Name

3	1	Reinf. rod 290-AGL-14,51-15,50;14x3,45/2900	F1003004	4780.05	Al-alloy			
2	1	Dead end 150-XRDF0-21.41-22.40;6x4,65/1500	F1003005	4781.14	ACS			
1	1	Thimble clevis	F1803001	4410.15/1	Cast iron			
itm	Qty	Description	Standard	Drq. no.	Art. no.	Material	Surface	Mass [kg]
1996	Date	Name			Replace for	Sim. to drg.-no.		
Drawn	06.12.	<i>Sprun</i>			Replaced by	F1806023		
Checked	09.12.	<i>Ze</i>			Art. No.	4480.05		
		Title			Drq. No.	Rev. Mod.		
Scale		Dead end set			F1806032	A3		
NTS		ø 14,51-15,50 mm with al or al-alloy layer			No. of pages	Page		

Tolerance acc. to: --- Short circuit current: 40 kA 1s Breaking load: --- kN Mass: approx. 5,1 kg