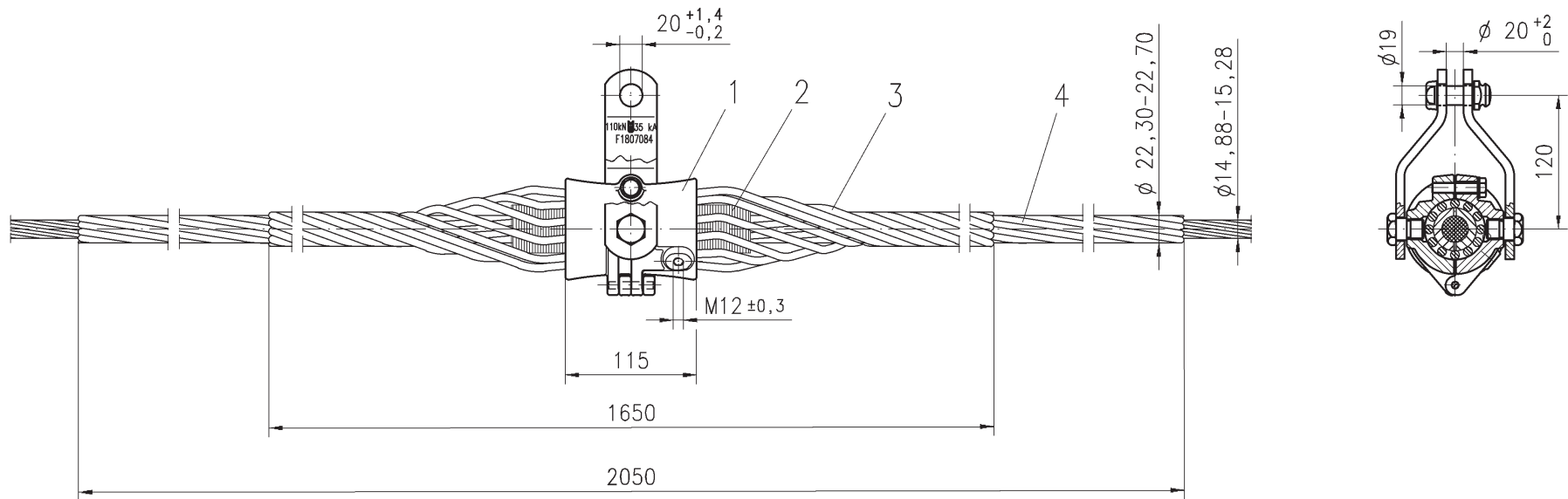


This page and its indications is intellectual property of Mosdorfer Company and it isn't allowed to forward those information to a third party without the written assent of Mosdorfer company.

Number	Modification	Date	Name

Letter	Revision	Date	Name
Q	Pos. 22, 13-22,70 (22,12-23,05)	13.09.2004	Wieringapl



Item	Qty	Description	Drg. no.	Art. no.	Material	Surface	Mass [kg]
4	1	Portection splice 14,88-15,41/2050	F1003011	4772.316/1	al-alloy		
3	1	Armor grip ø22,12-22,70/1650	F1003003	4785.27	al/alloy		
2	1	Insert ø22,12-22,70	F1803002	4786.27	neoprene		
1	1	AGS-clamp ø19,08-23,05mm	F1807011	4360.64	al/st	hot dip galv.	

1998	Date	Name		Replace for	Sim. to drg.-no.	
Drawn	04.05.	Grimm		Replaced by		
Checked	-11-	Ze		Art. No.	4362.10/1	
			Title	Drg. No.	Rev.	Mod.
Scale			Armor grip susp. clamp	F1807084	a	A3
---			for OPGW ø 14,88-15,28mm	No. of pages	Page	

Tolerance acc. to: ISO 2768 v Short circuit current: 35 kA 1s Breaking load: 110 kN Mass: approx.4.9 kg