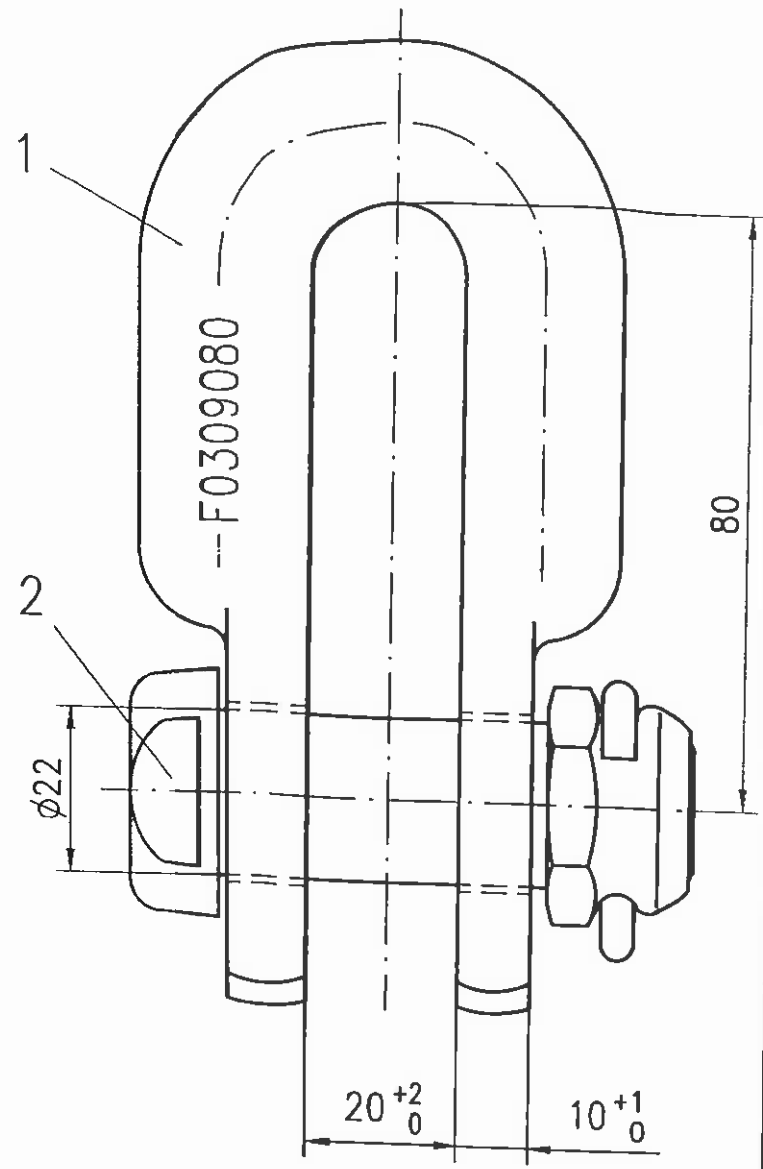
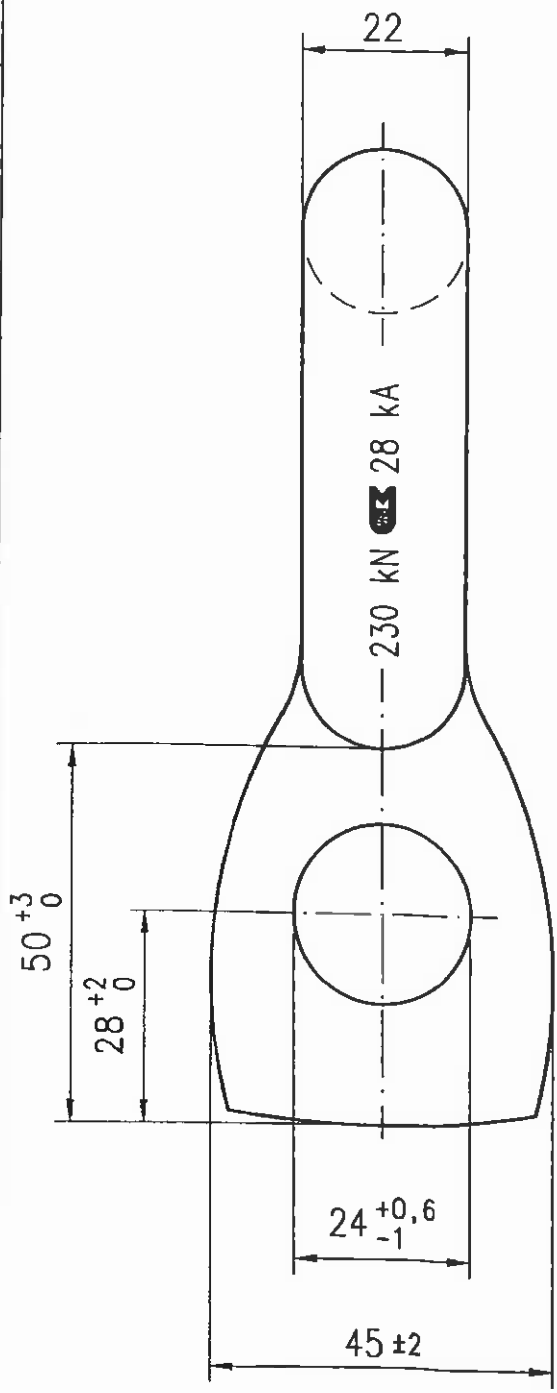


This page and its indications is intellectual property of Mosdorfer Company and it isn't allowed to be used or those information to a third party without the written consent of Mosdorfer company.

Number	Modification	Date	Name



Special design!

Letter	Revision	Date	Name
a	10 +1/0 (10±0,5)gebänd.	13.05.2004	Grimm

2	1	Bolt S22x43	DIN 48073	1046.23/0	8.8	hot dip galv.		
1	1	Shackle φ22			C 45 E + QT	hot dip galv.		
Item	Qty	Description	Standard	Drq. no.	Art. no.	Material	Surface	Mass [kg]
2004		Date	Name					
Drawn	02.04.	<i>Grimm</i>						
Checked	-II-	<i>Ze</i>						
		Title		Replace for		Sim. to drg.-no.		
Scale		Shackle φ22		Replaced by		F0309016 A4		
1:1				Art. No. 4250.27/7				
				Drg. No. F0309080		Rev. a	Mod. A4	
				No. of pages		Page		