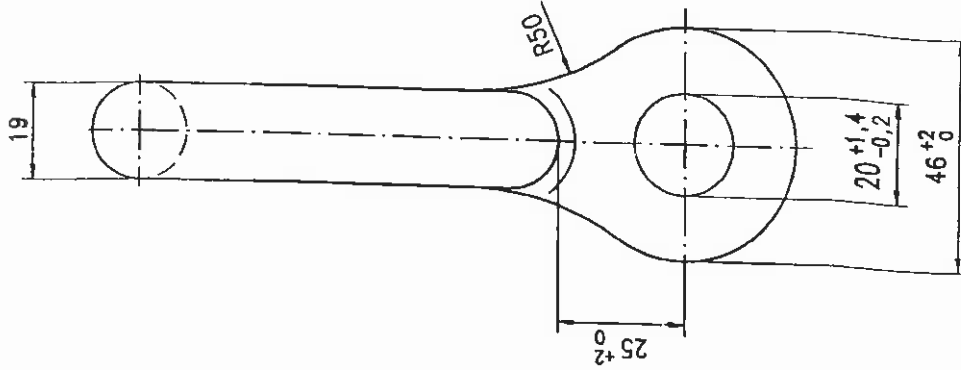
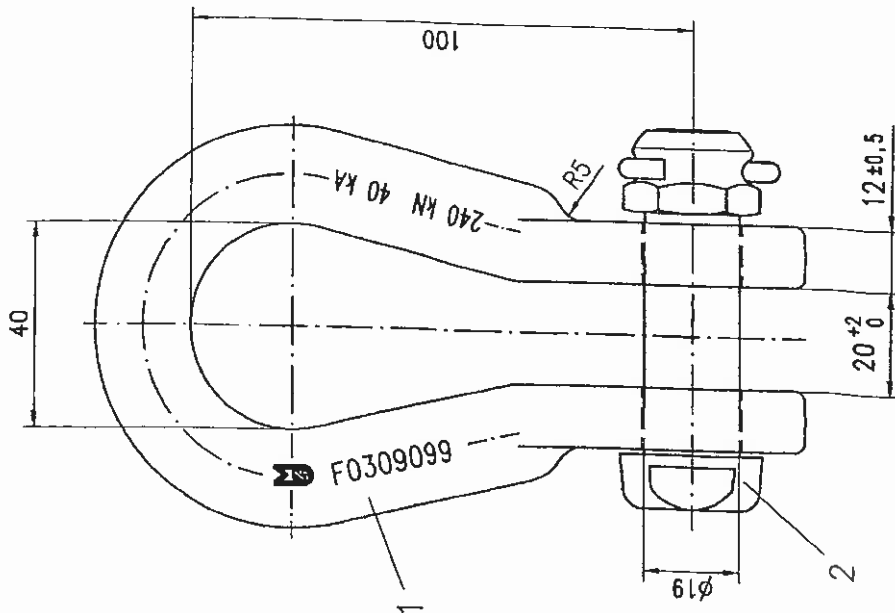


Revision	Date	Name

This page and its indications is intellectual property of Mosdorfer Company and it isn't allowed to forward those information to a third party without the written assent of Mosdorfer company.

Number	Modification	Date	Name



2	1	Ball S19x48	DIN 48073	1046, 16/0	B, B	hot dip galv.		
1	1	Shackle $\phi 19$			C 45 E + QT	hot dip galv.		
1	1	Lim. Qiv. L. Description	Standard	Drq. no.	Art. no.	Material	Surface	Mass (kg)
2005	Date	Name	MOSDORFER AUSTRIA				Replace for	Sim. to drq.-no.
Drem. 10.08.							Replaced by	
Checked -/it-							Art. No.	4250, 0028
							Drq. No.	F0309099
							Rev. Mod.	A3
							No. of pages	Page

Tolerance acc. to: ISO 2768 v Short circuit current: 40 kA Ia Breaking load: 240 kN Mass: approx. 0,9 kg