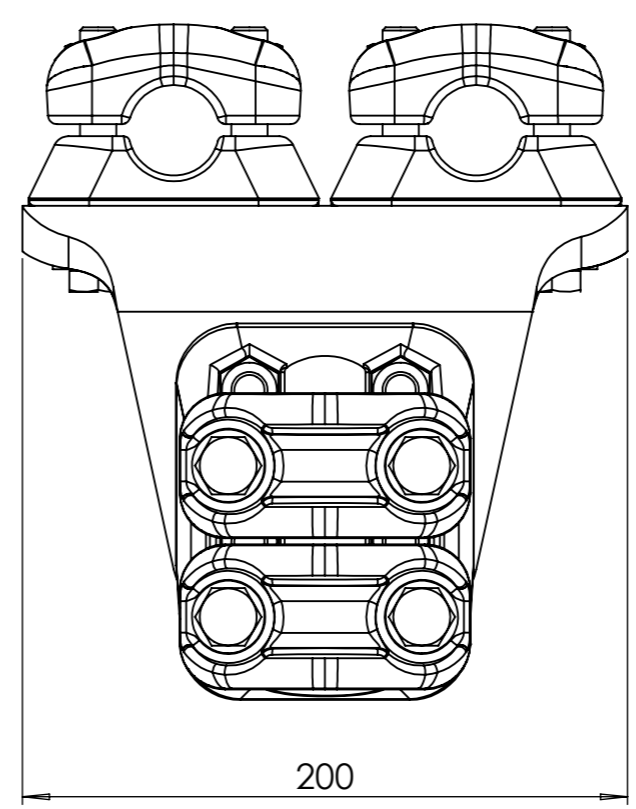
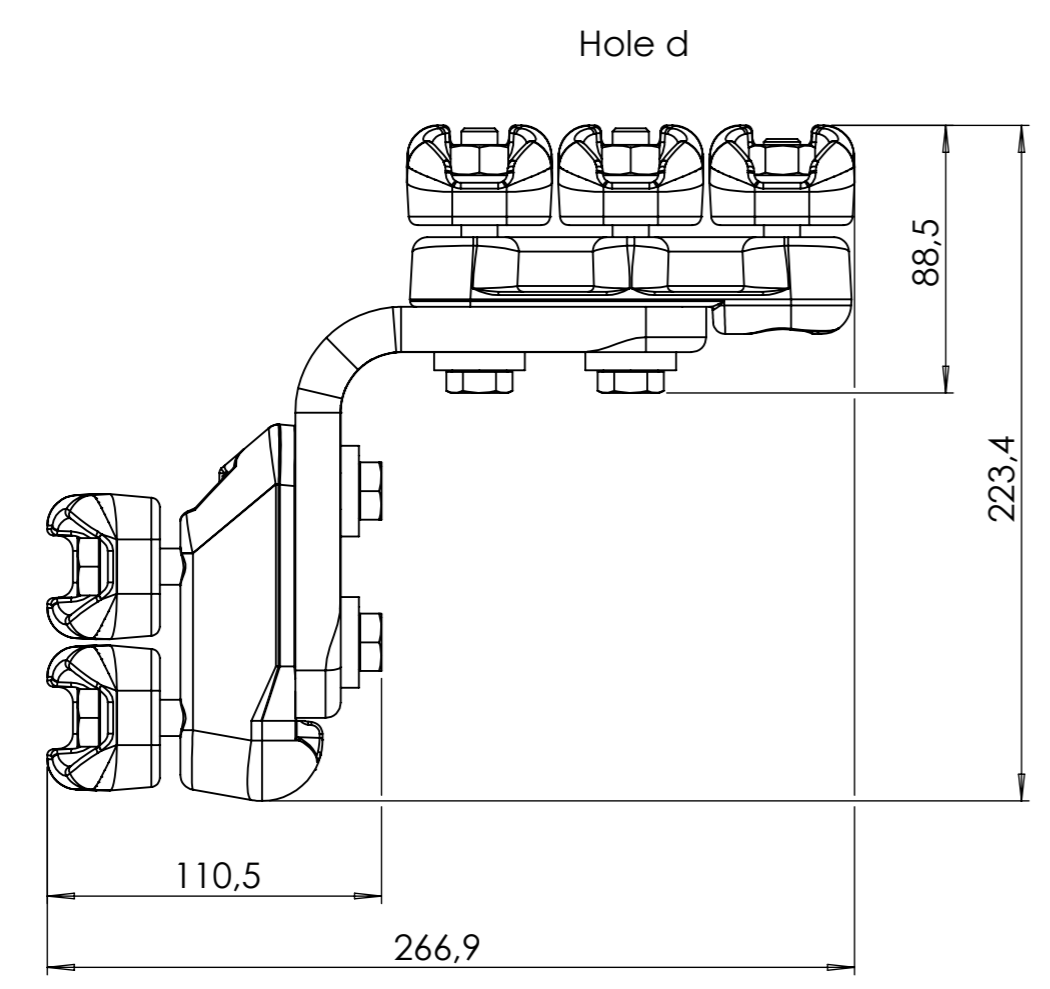
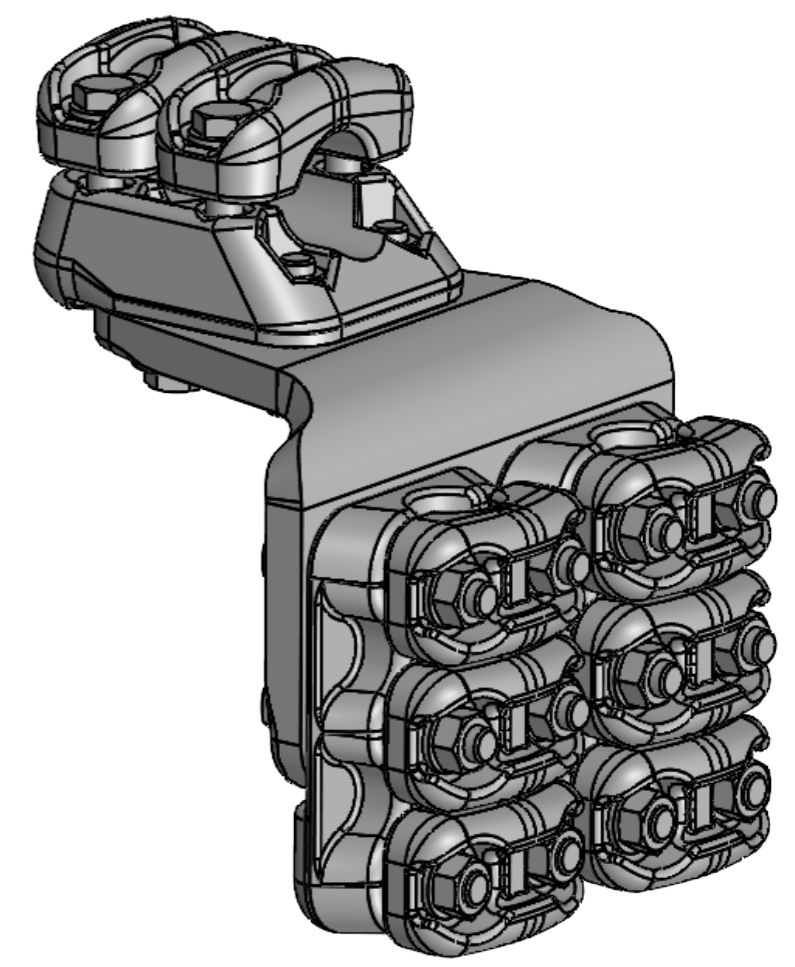


8 7 6 5 4 3 2 1

F  
E  
D  
C  
B  
A

F  
E  
D  
C  
B  
A

Tightening torque: 75Nm



Un	245kV
In	1000A
kA1s	50
Weight	6,587 kg
Hole d	Ø 17-37 mm
Hole D	Ø 37-47 mm
Merk:	

DO NOT SCALE DRAWING      REVISION      1

**M E L B Y E**

TITLE:  
MFK Duplex 90 gr.  
1x2D+2x3d

DWG NO.	112122	A3
NAME	SIGNATURE	DATE
DRAWN M.Sundler		16.12.2020
APPR. Espen Aas		16.12.2020
SCALE: 2:5	SHEET 1 OF 1	

8 7 6 5 4 3 2 1