

8 7 6 5 4 3 2 1

F

F

E

E

D

D

C

C

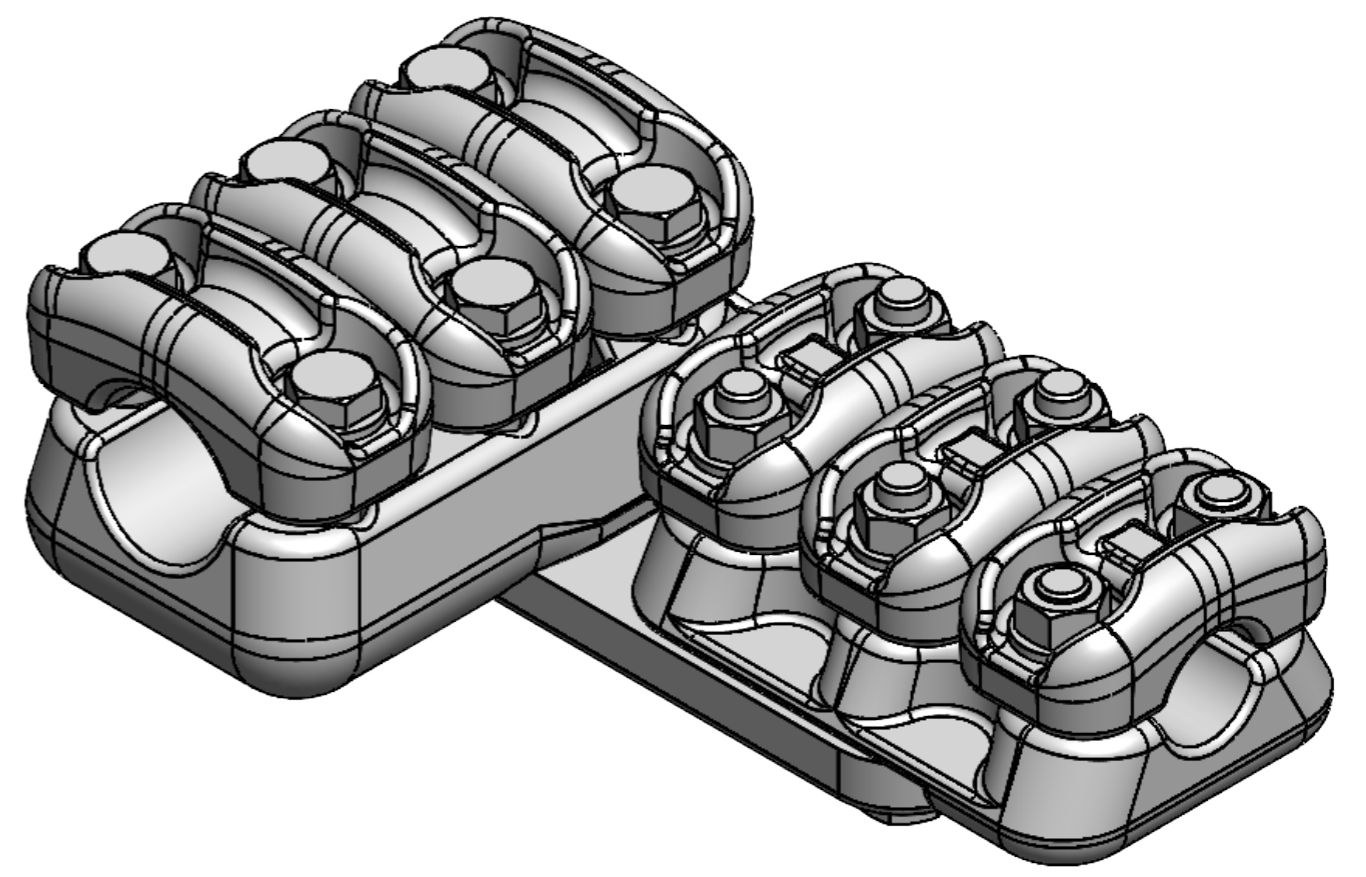
B

B

A

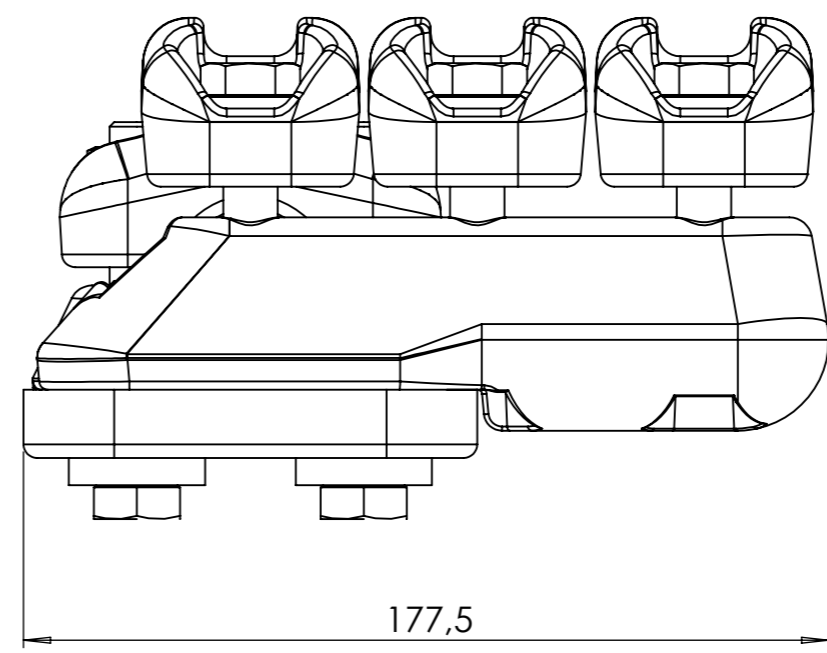
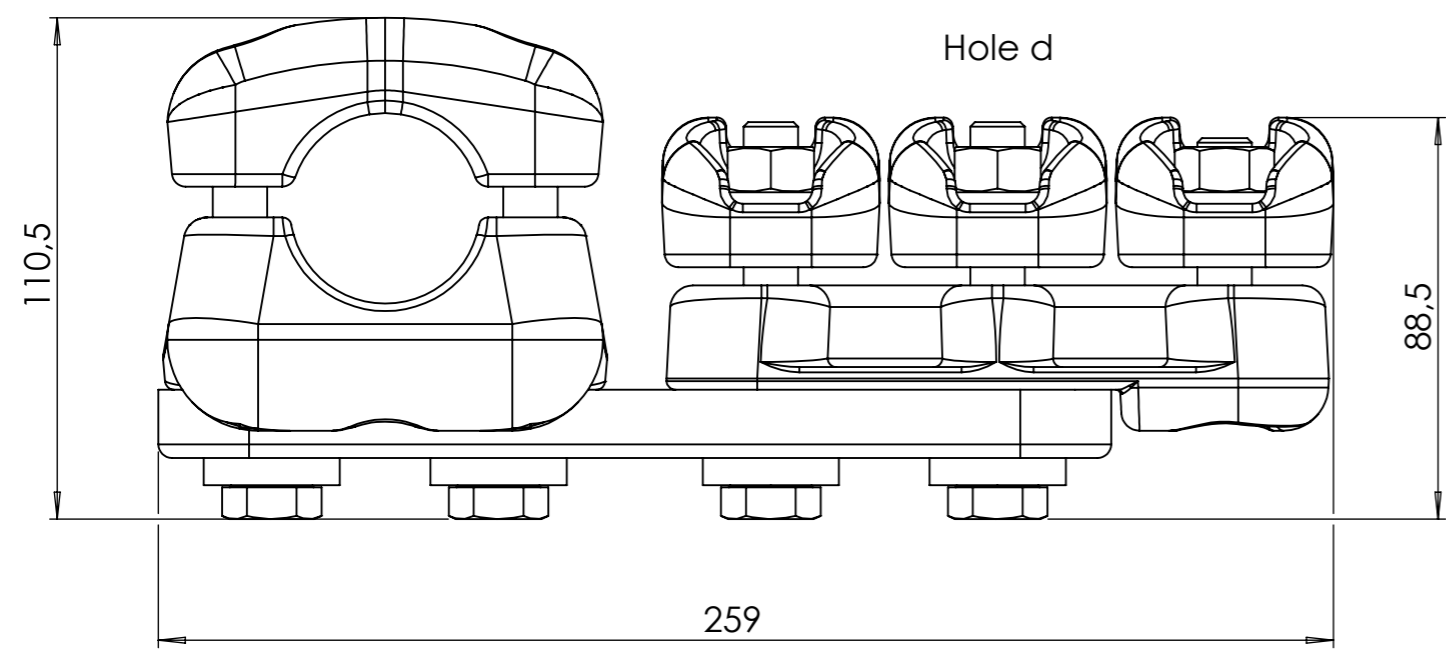
A

Tightening torque: 75Nm



Hole D

Hole d



| | |
|--------|------------|
| Un | 245kV |
| In | 1300A |
| kA1s | 63 |
| Weight | 5,144 kg |
| Hole d | Ø 17-37 mm |
| Hole D | Ø 37-47 mm |

Merk:

| | | |
|----------------------|----------|---|
| DO NOT SCALE DRAWING | REVISION | 1 |
|----------------------|----------|---|

M E L B Y E
 TITLE:
**MFK T-al.klemme
 3D+3d**

| | NAME | SIGNATURE | DATE |
|-------|-----------|-----------|------------|
| DRAWN | M.Sundler | | 14.12.2020 |
| APPR. | Espen Aas | | 16.12.2020 |

| | | |
|------------|--------------|----|
| DWG NO. | 110217 | A3 |
| SCALE: 3:5 | SHEET 1 OF 1 | |

8 7 6 5 4 3 2 1