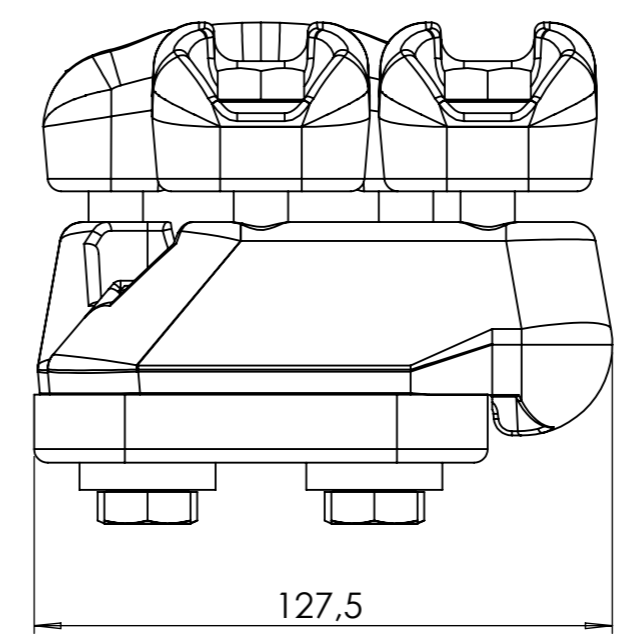
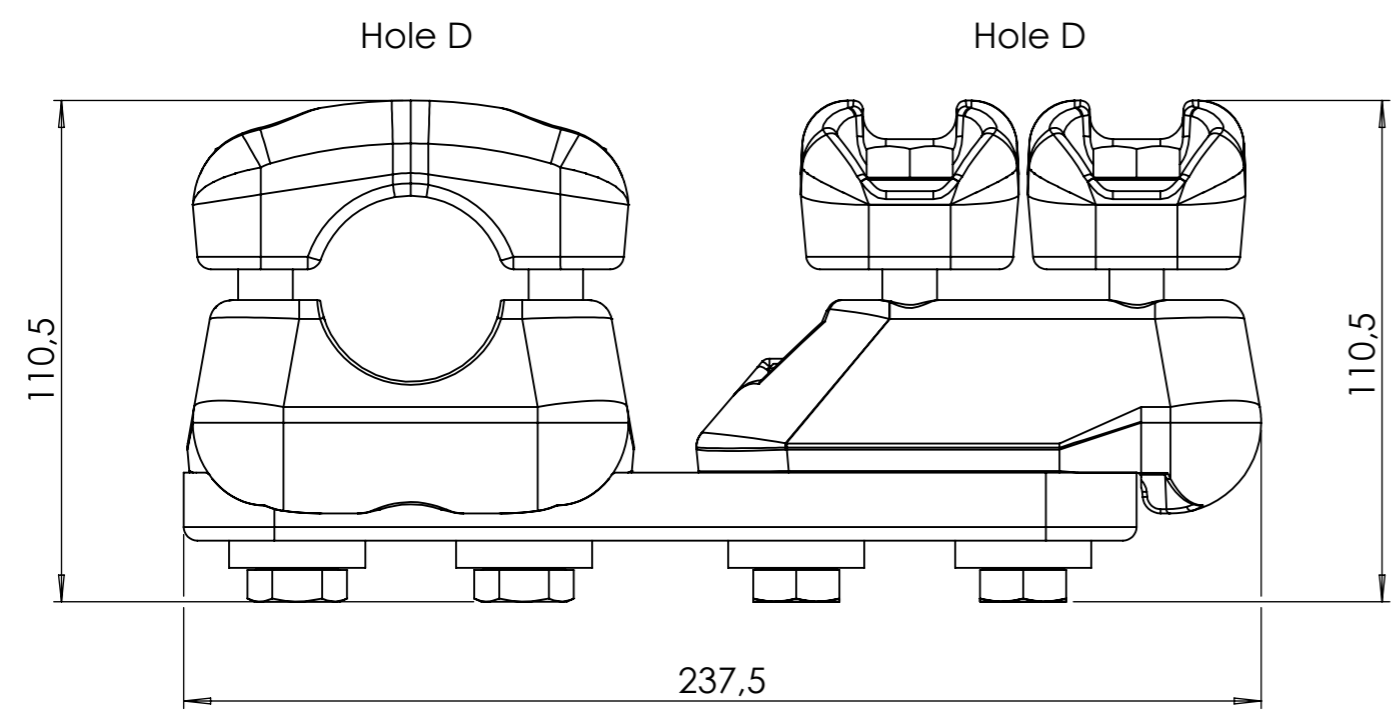


Tightening torque: 75Nm



Un	245kV
In	1000A
kA1s	50
Weight	4,380 kg
Hole d	Ø 17-37 mm
Hole D	Ø 37-47 mm

Merk:

DO NOT SCALE DRAWING REVISION 1

M E L B Y E

TITLE:
MFK T-al.klemme
2D+2D

	NAME	SIGNATURE	DATE
DRAWN	M.Sundler		14.12.2020
APPR.	Espen Aas		16.12.2020

DWG NO. 110215 A3

SCALE: 3:5 SHEET 1 OF 1