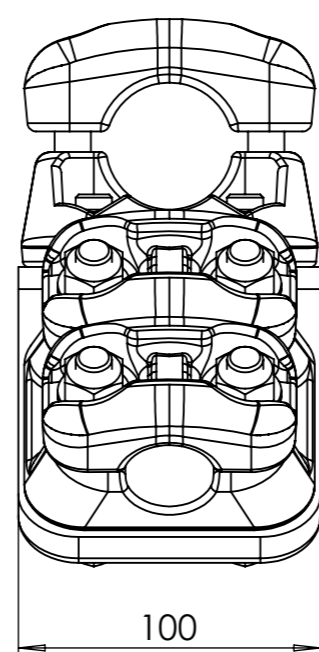
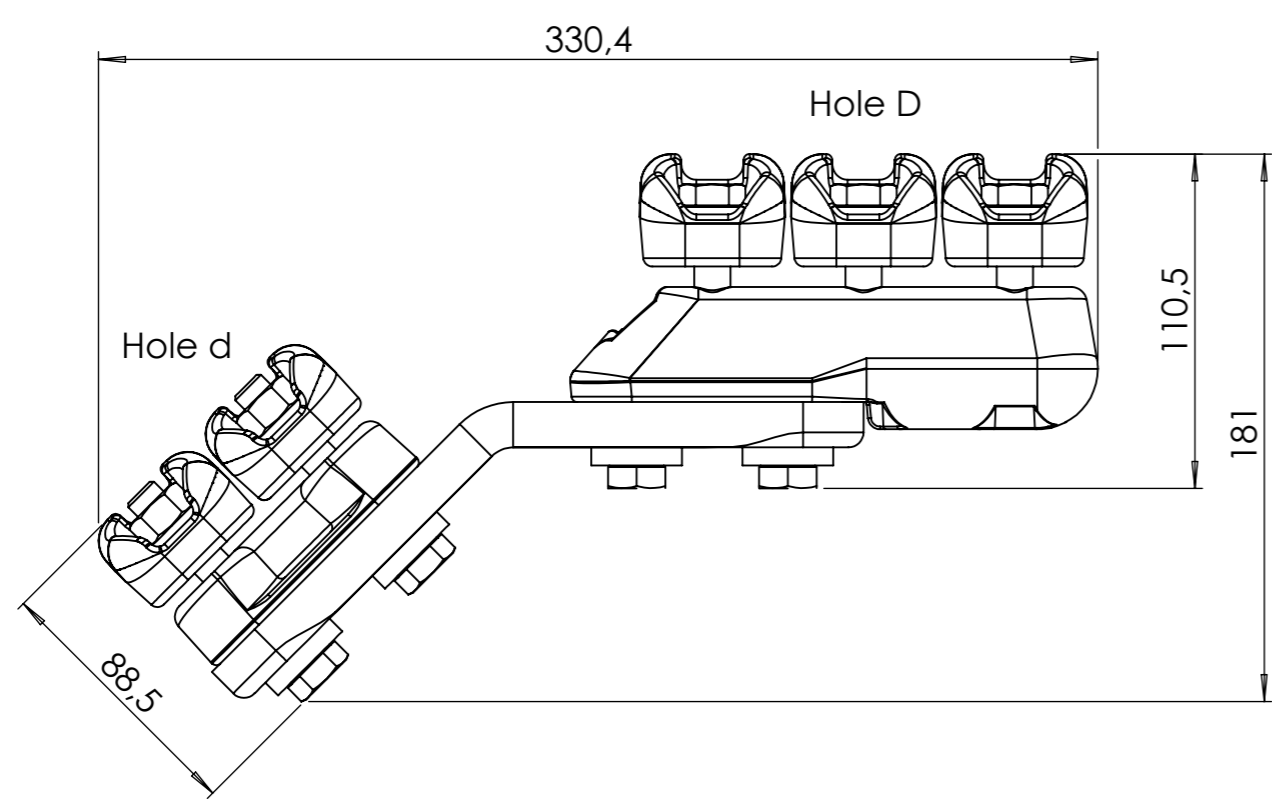
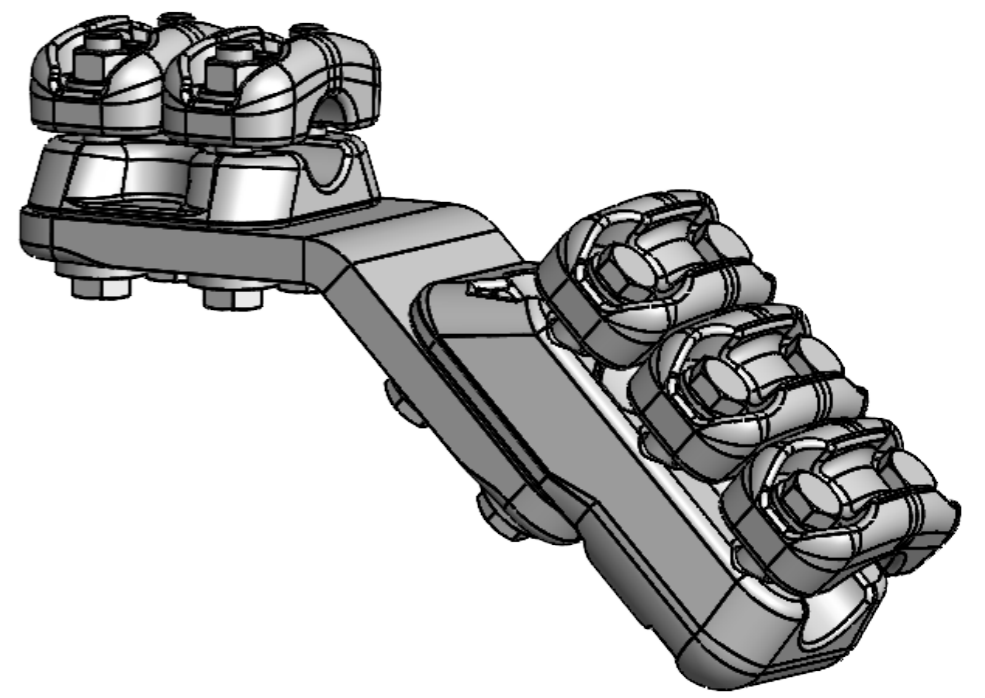


8 7 6 5 4 3 2 1

F
E
D
C
B
A

F
E
D
C
B
A

Tightening torque: 75Nm



| | |
|--------|------------|
| Un | 245kV |
| In | 800A |
| kA1s | 50 |
| Weight | 5,297 kg |
| Hole d | Ø 17-37 mm |
| Hole D | Ø 37-47 mm |

Merk:

| | | |
|----------------------|----------|---|
| DO NOT SCALE DRAWING | REVISION | 1 |
|----------------------|----------|---|

M E L B Y E

TITLE:
**MFK 45 gr.
al.klemme 2d+3D**

| | NAME | SIGNATURE | DATE |
|-------|-----------|-----------|------------|
| DRAWN | M.Sundler | | 16.12.2020 |
| APPR. | Espen Aas | | 16.12.2020 |

| | | |
|------------|---------------|----|
| DWG NO. | 110308 | A3 |
| SCALE: 2:5 | SHEET 1 OF 1 | |

8 7 6 5 4 3 2 1