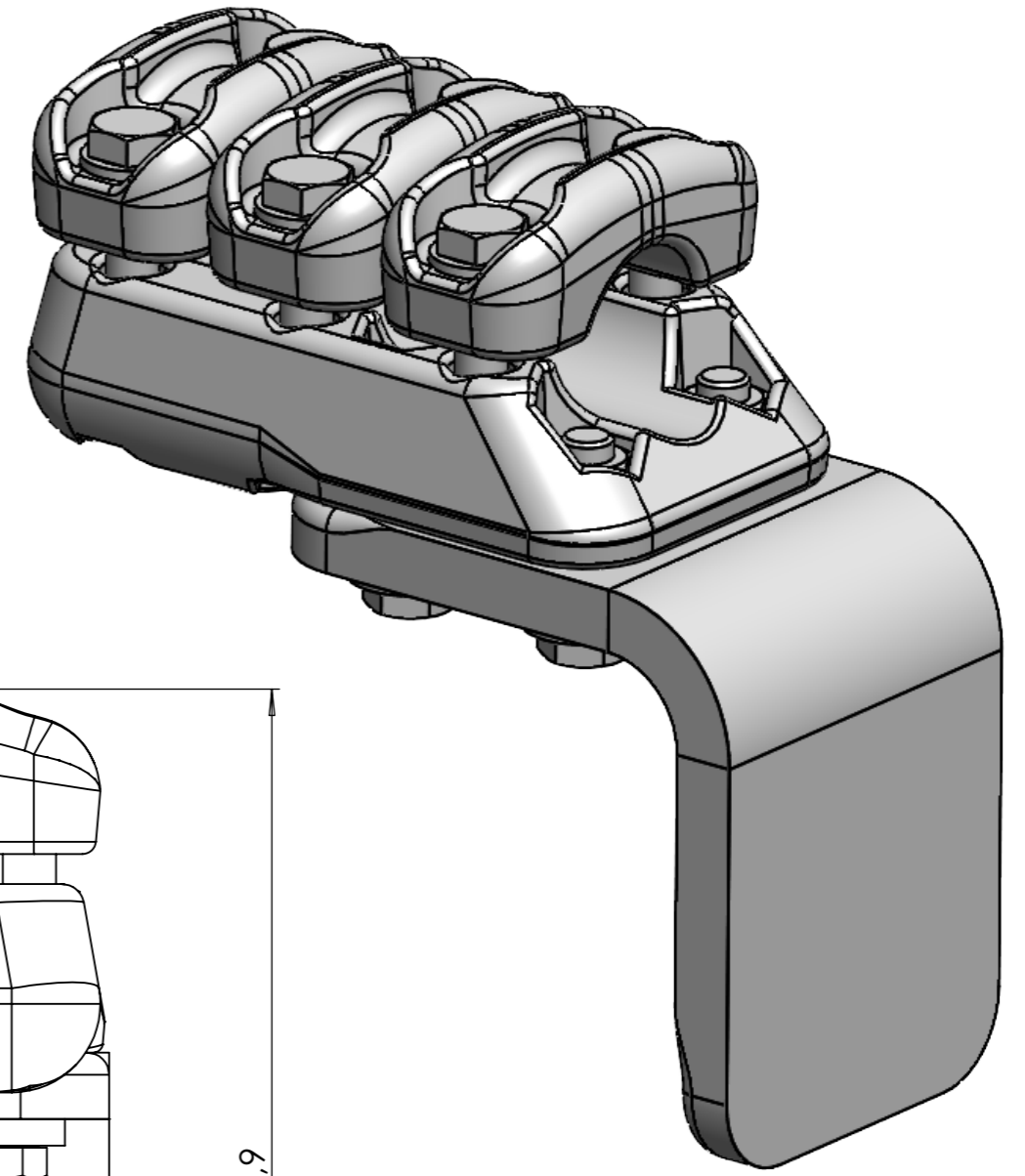
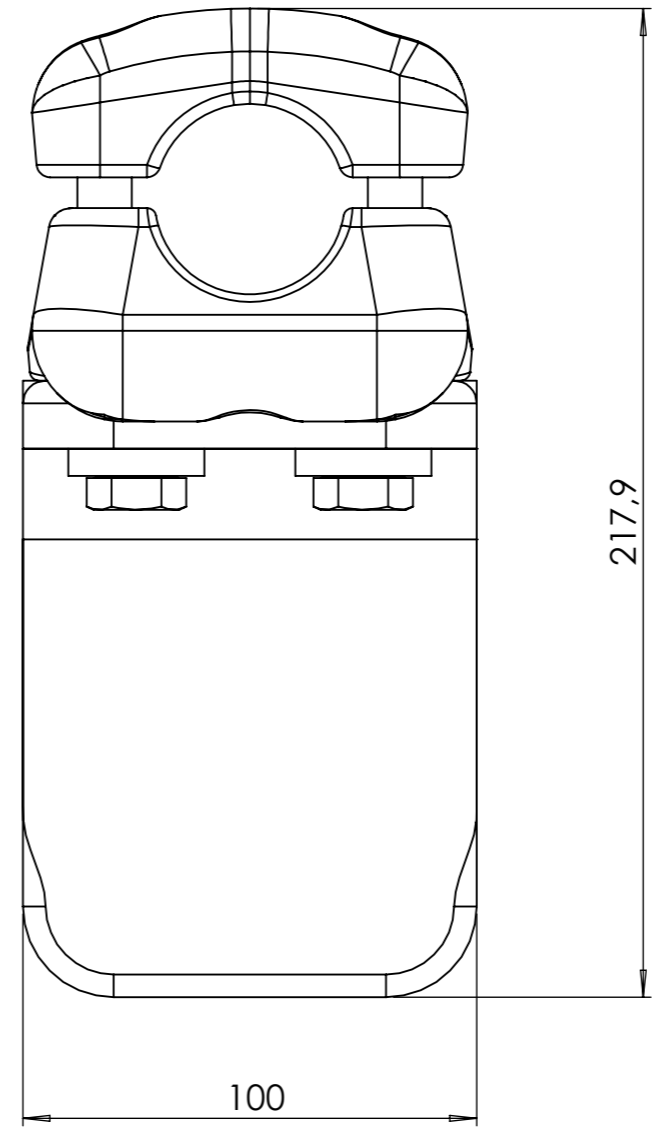
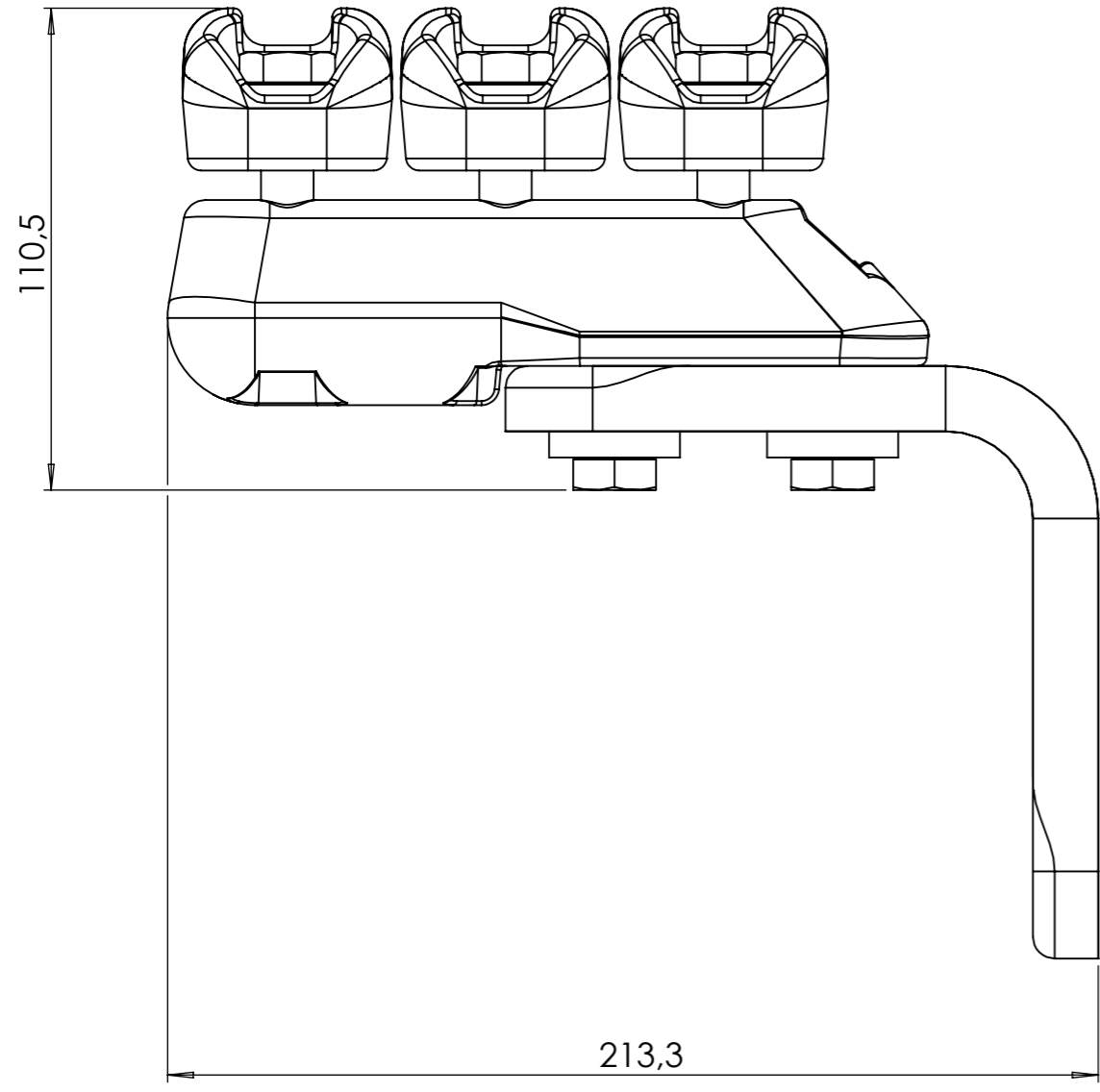


8 7 6 5 4 3 2 1



Tightening torque: 75Nm

Hole D



Un	245kV
In	1600A
kAs	63
Weight	3,485 kg
Hole d	Ø 17-37 mm
Hole D	Ø 37-47 mm

Merk:

DO NOT SCALE DRAWING REVISION 1

M E L B Y E

TITLE:
MFK 90 gr. al.
skinneklemme 3D

	NAME	SIGNATURE	DATE
DRAWN	M.Sundler		16.12.2020
APPR.	Espen Aas		16.12.2020

DWG NO.	110803	A3
SCALE: 3:5	SHEET 1 OF 1	

8 7 6 5 4 3 2 1