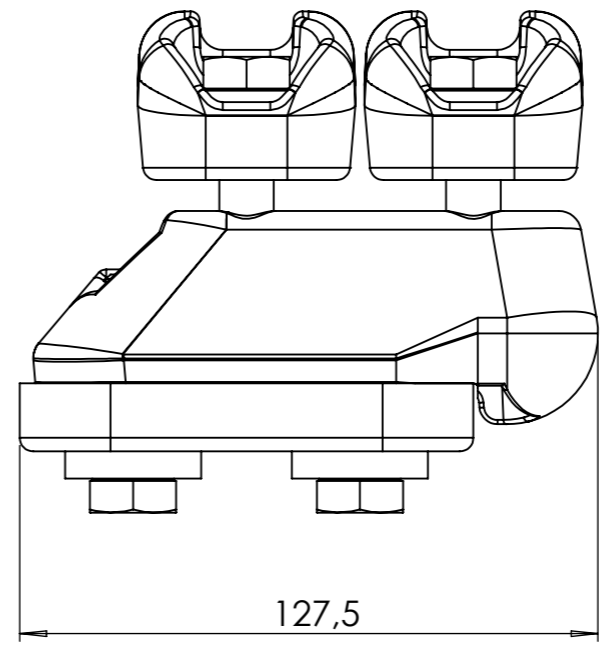
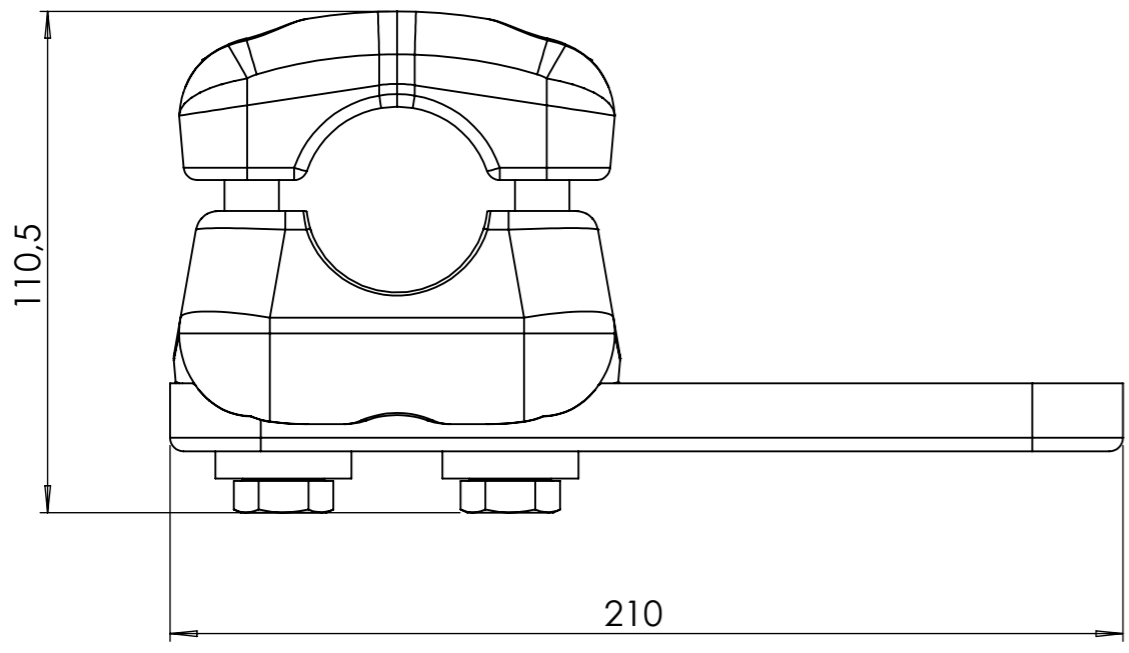


Tightening torque: 75Nm

Hole D



Un	245kV
In	1000A
kA1s	50
Weight	2,610 kg
Hole d	Ø 17-37 mm
Hole D	Ø 37-47 mm

Merk:	
DO NOT SCALE DRAWING	REVISION 1

M E L B Y E

TITLE:
MFK T-al.
skinneklemppe 2D

	NAME	SIGNATURE	DATE
DRAWN	M.Sundler		16.12.2020
APPR.	Espen Aas		16.12.2020

DWG NO.	110606	A3
SCALE: 3:5	SHEET 1 OF 1	