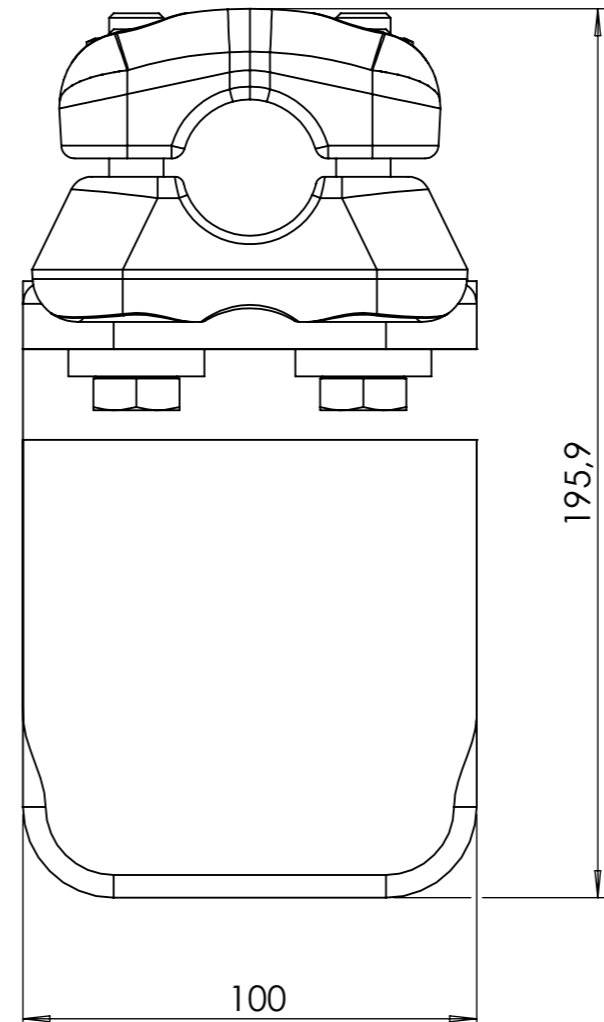
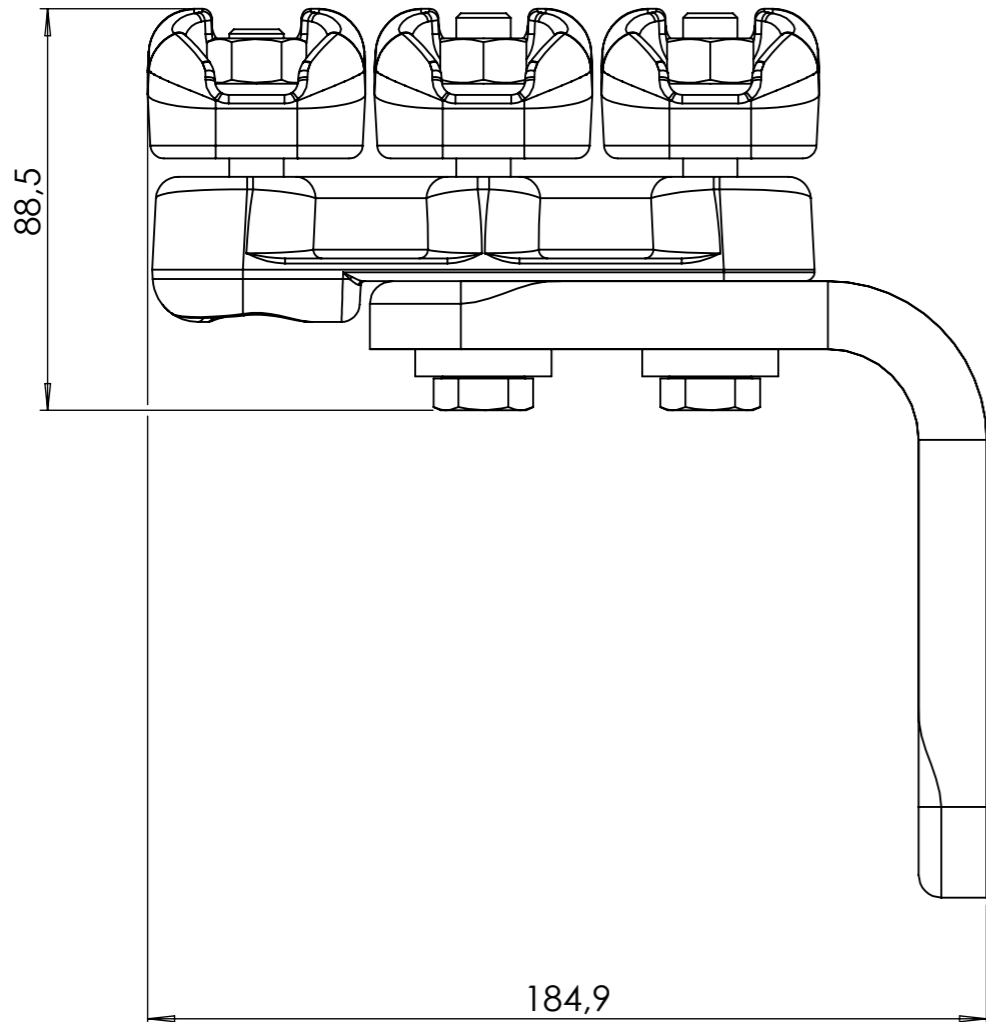


Tightening torque: 75Nm

Hole d



Un	245kV
In	1300A
kAs	63
Weight	2,610 kg
Hole d	Ø 17-37 mm
Hole D	Ø 37-47 mm

Merk:

DO NOT SCALE DRAWING	REVISION	1
----------------------	----------	---

M E L B Y E

TITLE:
MFK 90 gr. al.
skinneklemme 3d

	NAME	SIGNATURE	DATE
DRAWN	M.Sundler		16.12.2020
APPR.	Espen Aas		16.12.2020

DWG NO.	110807	A3
SCALE: 3:5	SHEET 1 OF 1	