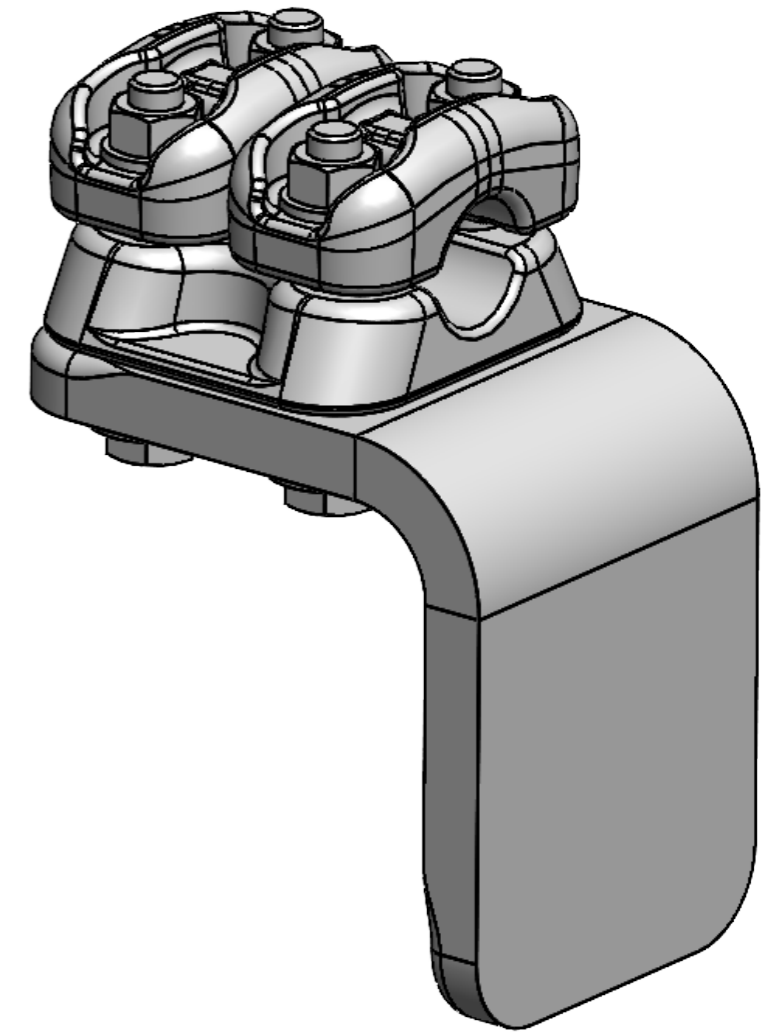


8 7 6 5 4 3 2 1

F

F

Tightening torque: 75Nm



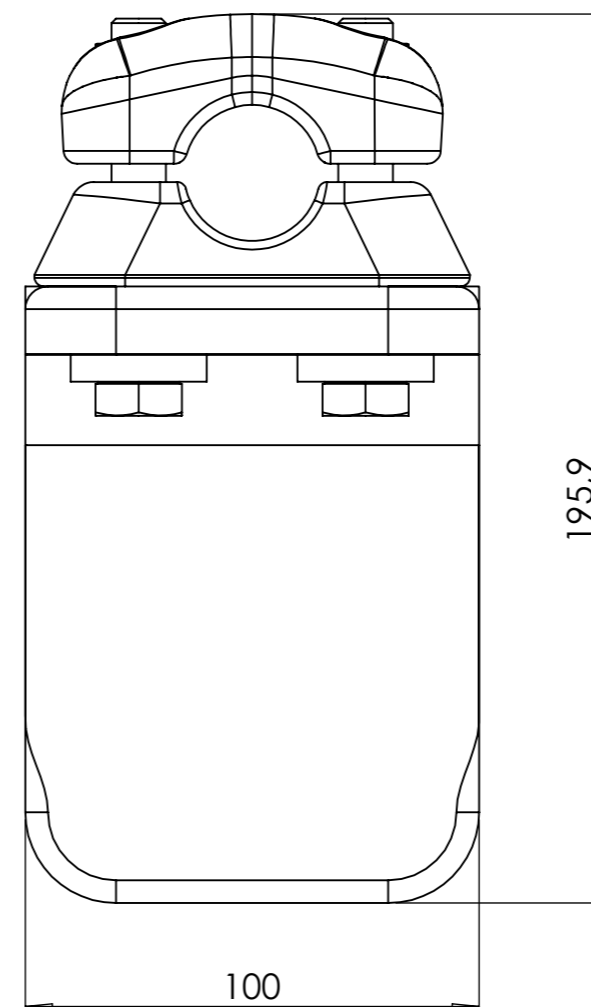
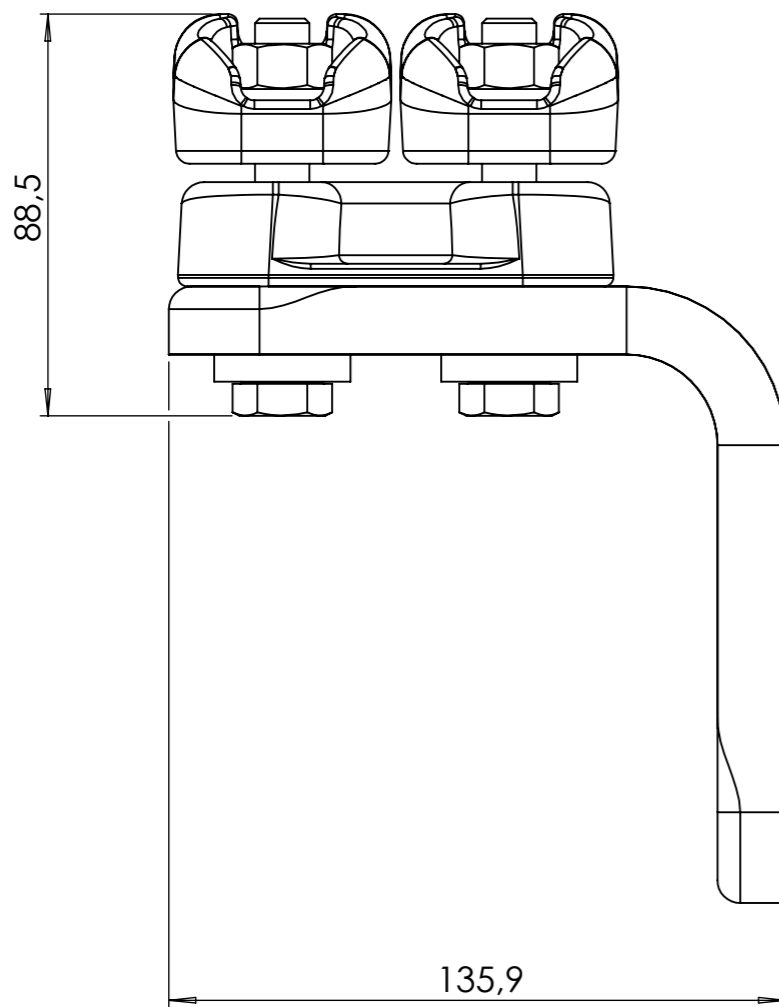
E

E

D

D

Hole d



C

C

B

B

Un	245kV
In	800A
kAs	50
Weight	2,125 kg
Hole d	Ø 17-37 mm
Hole D	Ø 37-47 mm

Merk:

DO NOT SCALE DRAWING	REVISION	1
----------------------	----------	---

**M E L B Y E**

TITLE:  
MFK 90 gr. al.  
skinnelemme 2d

A

A

	NAME	SIGNATURE	DATE
DRAWN	M.Sundler		16.12.2020
APPR.	Espen Aas		16.12.2020

DWG NO.	110804	A3
SCALE: 3:5	SHEET 1 OF 1	

8 7 6 5 4 3 2 1