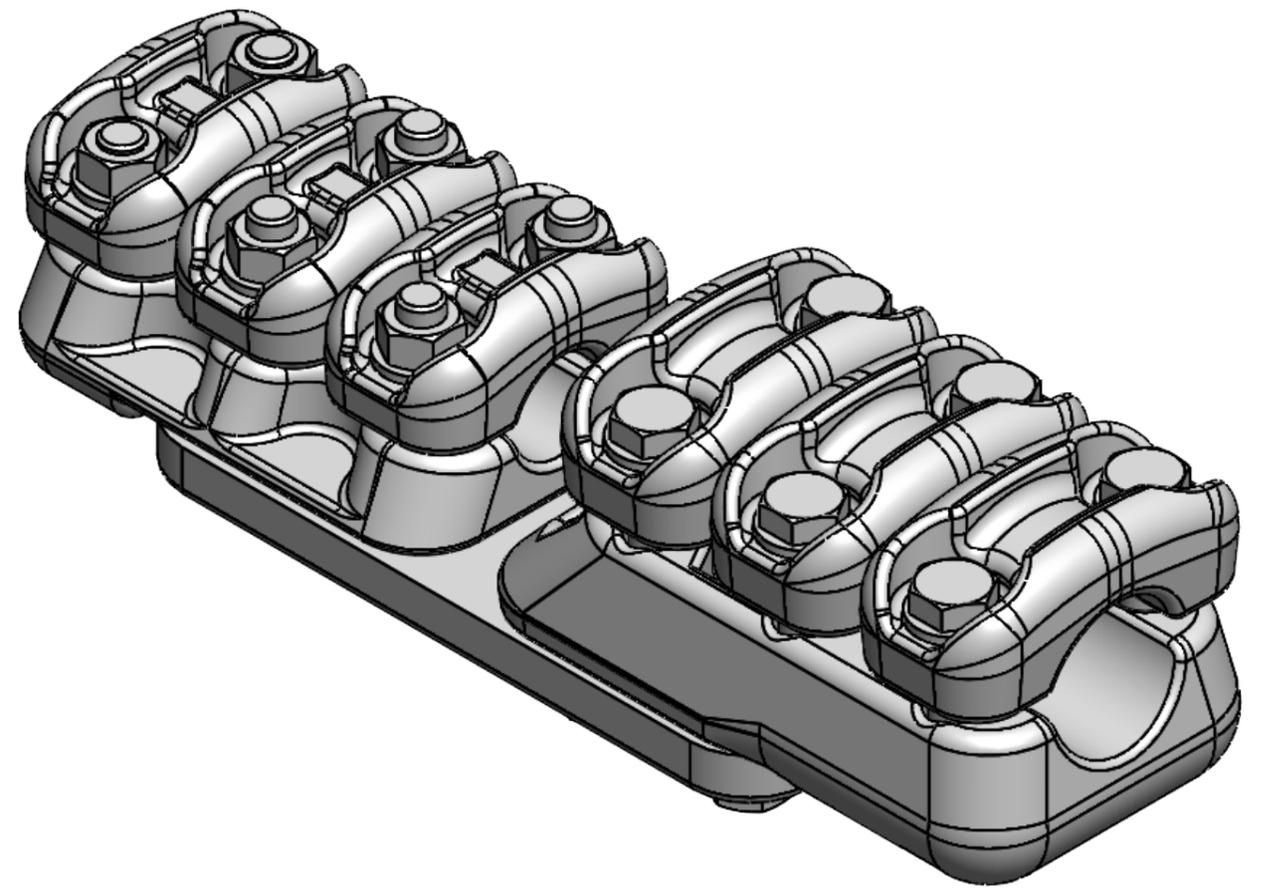


8 7 6 5 4 3 2 1

F

F

Tightening torque: 75Nm



E

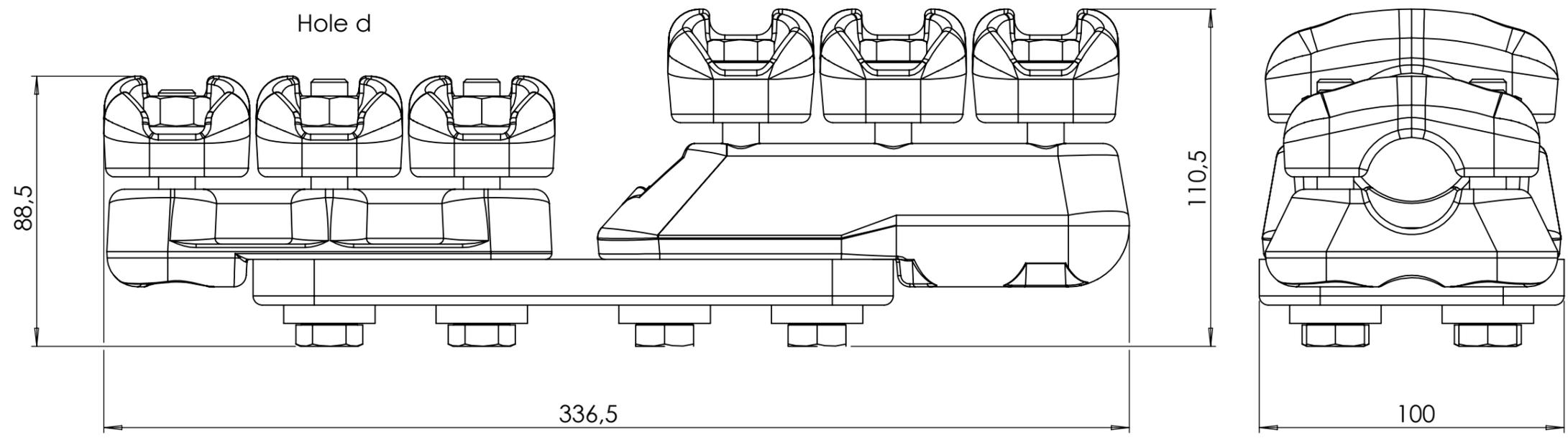
E

D

D

Hole D

Hole d



Un	245kV
In	1300A
kAs	63
Weight	5,140 kg
Hole d	Ø 17-37 mm
Hole D	Ø 37-47 mm

Merk:

DO NOT SCALE DRAWING REVISION 1

**M E L B Y E**

TITLE:  
MFK Rett  
al.klemme 3d+3D

	NAME	SIGNATURE	DATE
DRAWN	M.Sundler		15.12.2020
APPR.	Espen Aas		16.12.2020

DWG NO. 110121 A3  
SCALE: 3:5 SHEET 1 OF 1

8 7 6 5 4 3 2 1

A

A