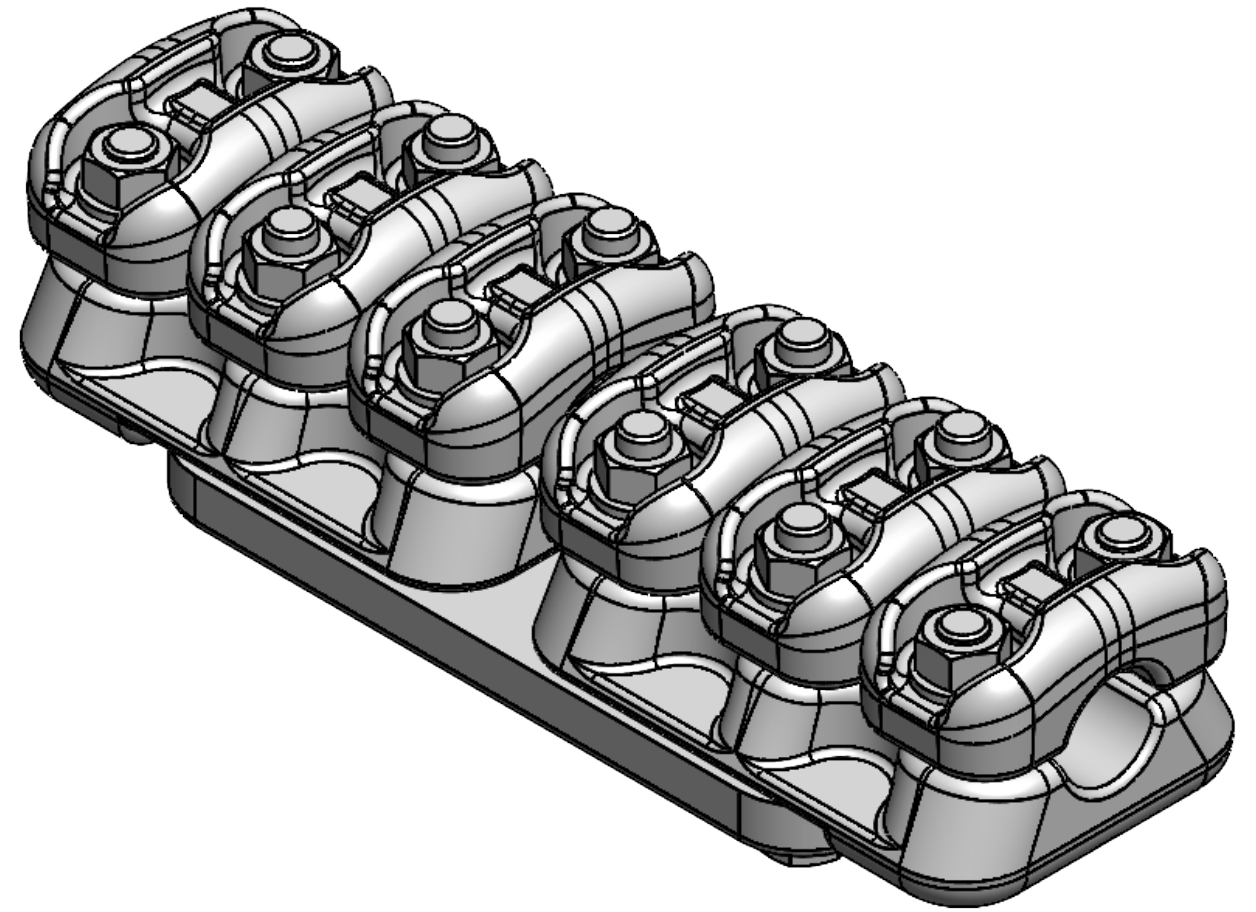


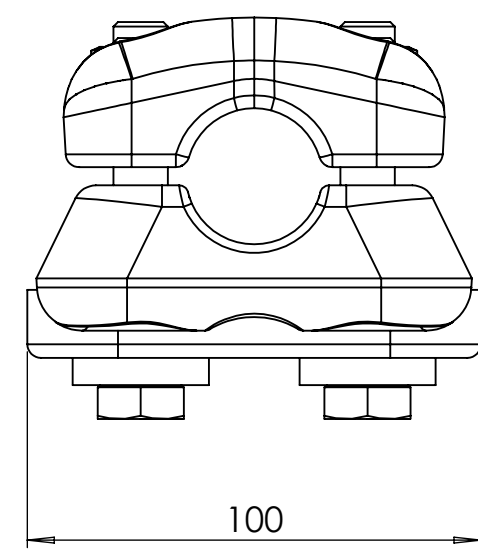
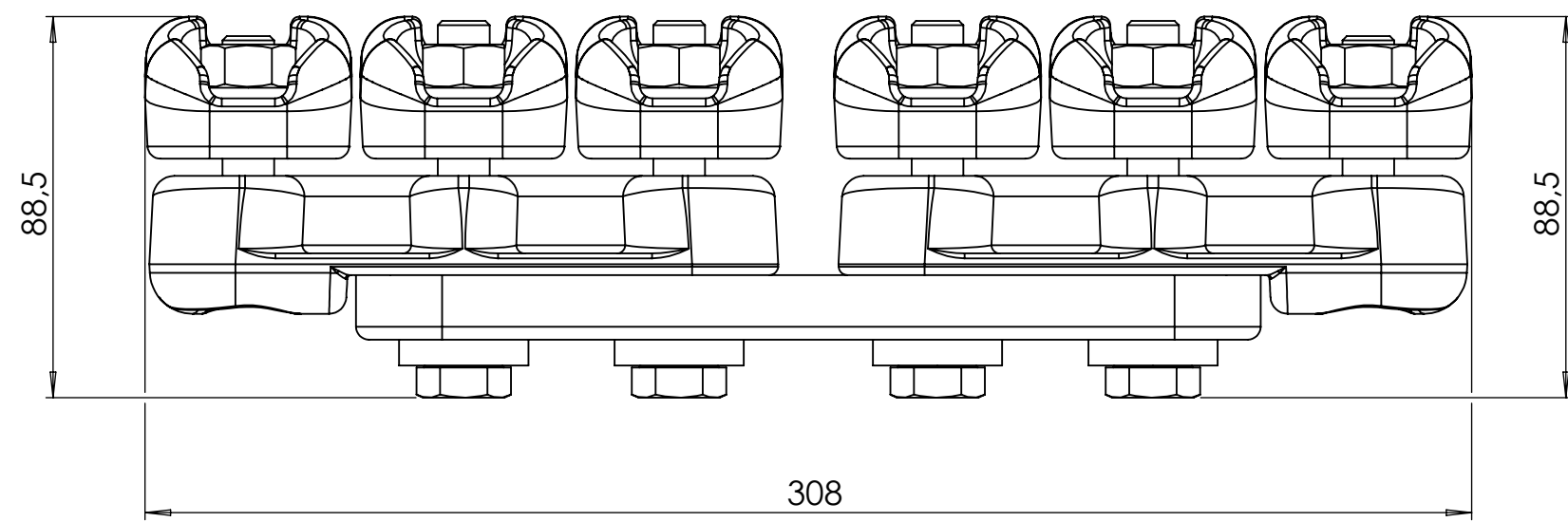
8 7 6 5 4 3 2 1



Tightening torque: 75Nm

Hole d

Hole d



Un	245kV
In	1300A
kA1s	63
Weight	4,380 kg
Hole d	Ø 17-37 mm
Hole D	Ø 37-47 mm

Merk:

DO NOT SCALE DRAWING REVISION 1

M E L B Y E

TITLE:
MFK Rett
al.klemme 3d+3d

	NAME	SIGNATURE	DATE
DRAWN	M.Sundler		14.12.2020
APPR.	Espen Aas		16.12.2020

DWG NO.	110112	A3
SCALE: 3:5	SHEET 1 OF 1	

8 7 6 5 4 3 2 1