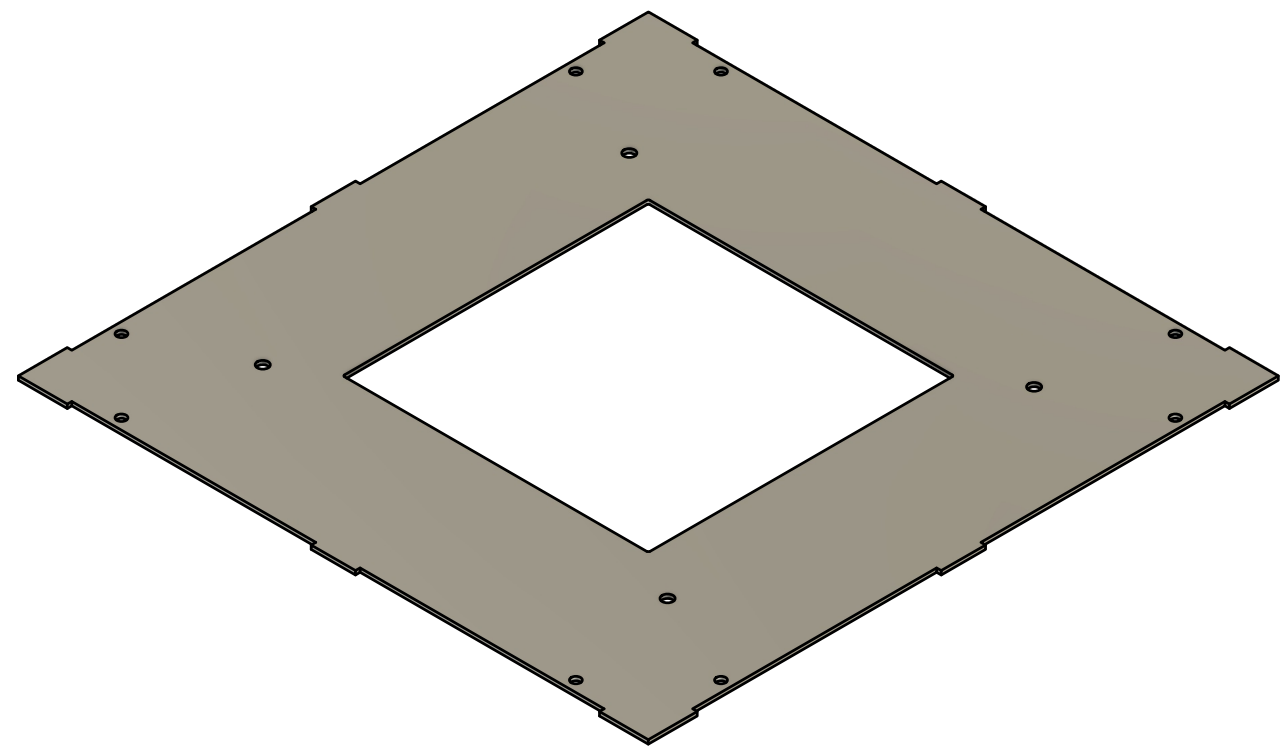
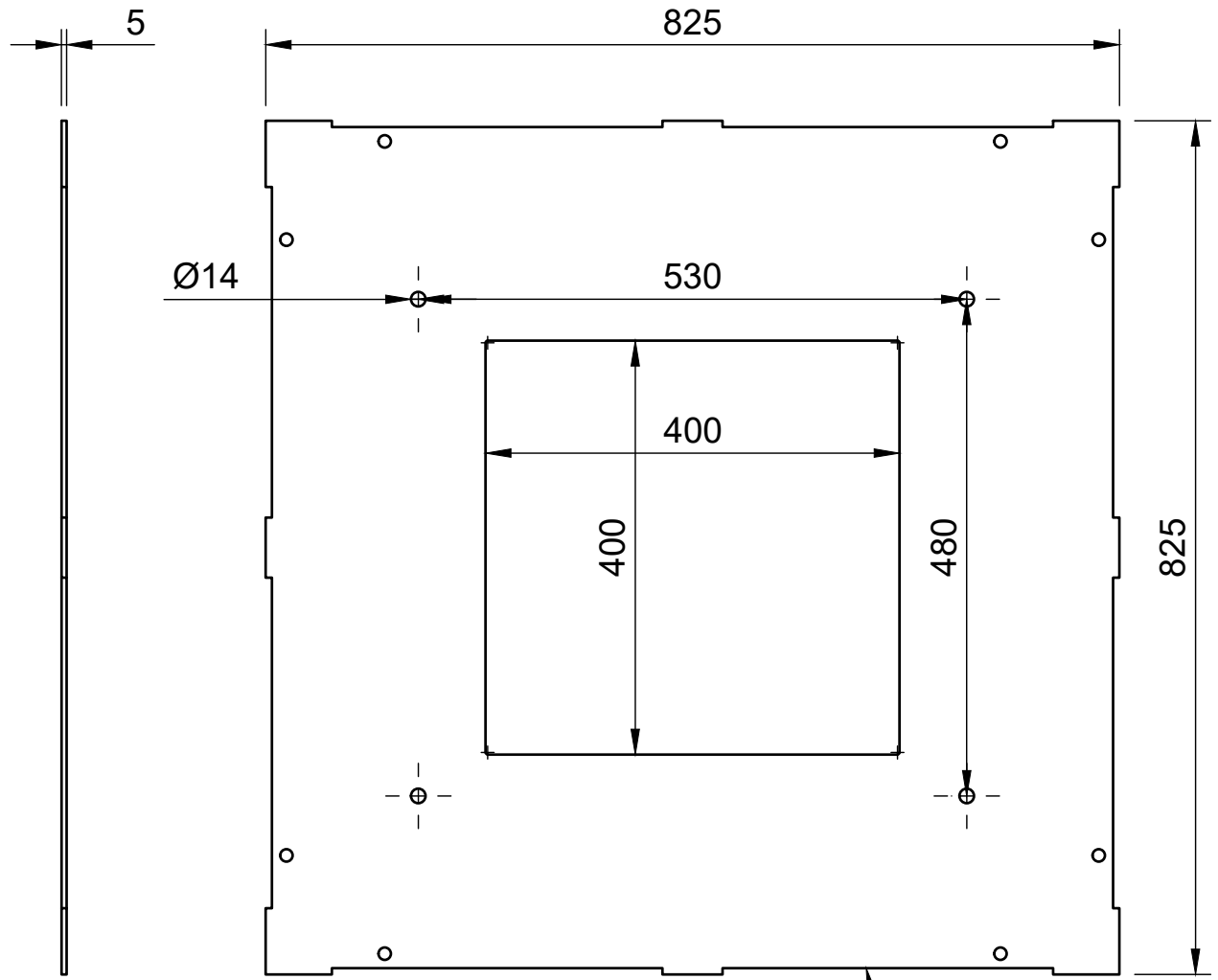


Parts List				
Item	Qty	Part Number	Material	Mass
1	1	0665585-Schneider-Evlink-P RO-Adapterplatta 750x750EvlinkPRO	Steel	19773.047 g



Dept. 200	Technical reference:	Created by: Simon Gullberg	Approved by: Melbye Group	
Material: Mild Steel		Document type: PDF	Created Date: 2025-10-06	
Finish: Galv.EN1461		Part Name: 0665585-Schneider-Evlink-P RO	Date of issue:	Sheet: 1/1